



**FLINT & WALLING**

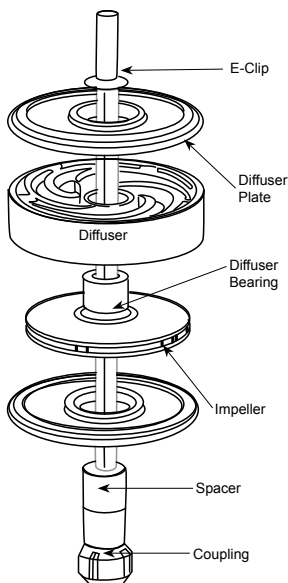
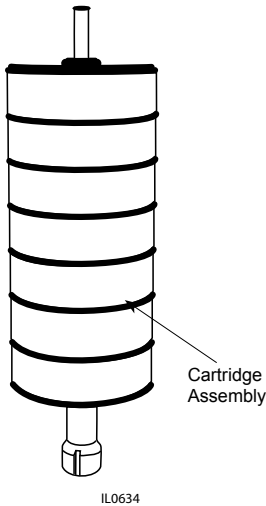
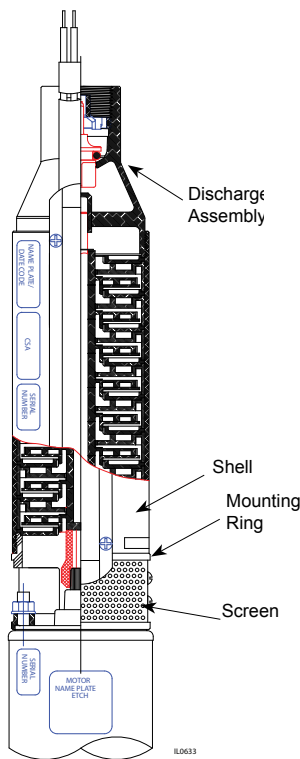
*Zoeller Family of Water Solutions™*

---

**PUMP REPAIR PARTS**



## 4" SUBMERSIBLE PUMP REPAIR PARTS (Nov. '06 & Later) (For Pricing Refer To Repair Parts Price List) 5 - 7 - 10 - 19 & 27 GPM SERIES



DESCRIPTION	QTY.	STAINLESS STEEL	CAST IRON
		PART NUMBER	
Discharge Assembly	1	020517	020510
Seat	1	Not Required	020515
Bearing	1	020053	
Poppet w/Buna O-ring	1	020810	
Poppet Retainer	1	020513	
Mounting Ring	1	020519	020523
Screen	1	020526A	
Fastener Kit (Motor mounting nuts and screen screws)	1	022017	

GPM		5	7	10	19	27
NUMBER OF STAGES	1/2 HP	15	10	8	5	-
	3/4 HP	21	14	12	7	6
	1 HP	26	18	15	9	7
	1-1/2 HP	35	24	20	12	10
	2 HP	-	30	26	16	12
	3 HP	-	-	34	22	17
	5 HP	-	-	-	32	29

DESCRIPTION	HP	QTY.	PART NUMBER				
Cartridge Assembly *	1/2	1	022227	022231	022236	022242	-
	3/4		022228	022232	022237	022243	022249
	1		022229	022233	022238	022244	022250
	1-1/2		022230	022234	022239	022245	022251
	2		-	022235	022240	022246	022252
	3		-	-	022241	022247	022253
	5		-	-	-	022248	022254
Cable Guard Stainless Steel**	1/2	1	020894	139015	020868	020865	-
	3/4		020880	022285	020873	020867	020866
	1		020885	020877	020876	020871	020868
	1-1/2		020889	020883	020882	020893	020872
	2		-	020888	020887	020879	020874
	3		-	-	020891	020886	020881
	5		-	-	-	020892	020890
Cable Guard Thermoplastic***	1/2	1	020853	136386	020841	020837	-
	3/4		020860	022212	020850	020840	020839
	1		SS	020857	020856	020845	020841
	1-1/2		SS	SS	020862	020852	020849
	2		-	SS	SS	020858	137527
	3		-	-	SS	SS	020861
	5		-	-	-	SS	SS
Shell - Stainless Steel	1/2	1	020721	020710	020705	020698	-
	3/4		020733	022284	020718	020704	020701
	1		020738	020727	020726	020713	020705
	1-1/2		020744	020736	020735	020720	020717
	2		-	022210	020742	020730	020723
	3		-	-	020746	020739	020734
	5		-	-	-	020747	020745
Shell - Carbon Steel "G" Series Only	1/2	1	022203	022120	021538	-	-
	3/4		022204	022123	022122	-	021538
	1		-	-	022125	021540	022121

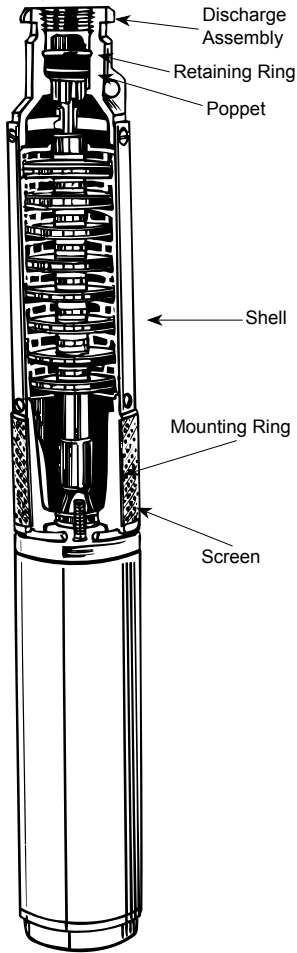
(\*) Cartridge assembly includes: Impellers, diffusers, hex shaft w/coupling, bearing and slinger

(\*\*) Part numbers for units fitted with SS cable guard

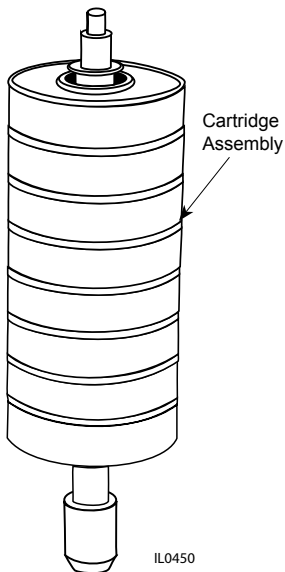
(\*\*\*) Part numbers for units fitted with thermoplastic cable guard

## SUBMERSIBLE PUMP REPAIR PARTS (Oct. '06 & Earlier) (For Pricing Refer To Repair Parts Price List)

### 5 - 7 - 10 - 19 & 27 GPM SERIES



IL0303



IL0450

DESCRIPTION	QTY.	MAGALLOY	CAST IRON	BRASS
		PART NUMBER		
Discharge Assembly	1	N/A	—	N/A
Seat	1	N/R	—	N/R
Bearing	1	130867	130867	130867
Poppet w/Buna O-Ring	1	137629	137629	N/A
Retaining Ring	1	—	—	—
Mounting Ring	1	N/A	—	N/A
Screen	1	N/A	—	—
Fastener Kit *	1	137746	133173	133173

(\*) Fastener kit includes: Motor Mounting Nuts/Washers and Screen Rivets/Bolts.  
(N/R) Not required

GPM		5	7	10	19	27
NUMBER OF STAGES	1/2 HP	15	10	8	5	—
	3/4 HP	21	14	12	7	6
	1 HP	26	18	15	9	7
	1-1/2 HP	35	24	20	12	10
	2 HP	—	30	26	16	12
	3 HP	—	—	34	22	17
	5 HP	—	—	—	32	29
DESCRIPTION	HP	QTY.	PART NUMBER			
Cartridge Assembly *	1/2	1	—	—	—	—
	3/4		—	—	—	—
	1		—	—	—	—
	1-1/2		—	—	—	—
	2		—	—	—	—
	3		—	—	—	—
Cable Guard Stainless Steel †	1/2	1	—	—	—	—
	3/4		137769	—	—	—
	1		—	—	—	—
	1-1/2		137094	137087	—	—
	2		—	—	137090	—
	3		—	—	—	—
Cable Guard Thermoplastic ††	1/2	1	—	—	—	—
	3/4		—	136408	—	—
	1		—	—	136411	—
	1-1/2		S.S.	S.S.	—	—
	2		—	—	S.S.	—
	3		—	—	—	—
Shell - Stainless Steel	1/2	1	—	—	—	131348
	3/4		—	—	130909	—
	1		—	—	130910	—
	1-1/2		131530	133742	—	—
	2		—	—	130913	—
	3		—	—	—	—
Shell - Carbon Steel "G" Series Only	1/2	1	—	—	—	—
	3/4		—	—	—	—
	1		—	—	—	—

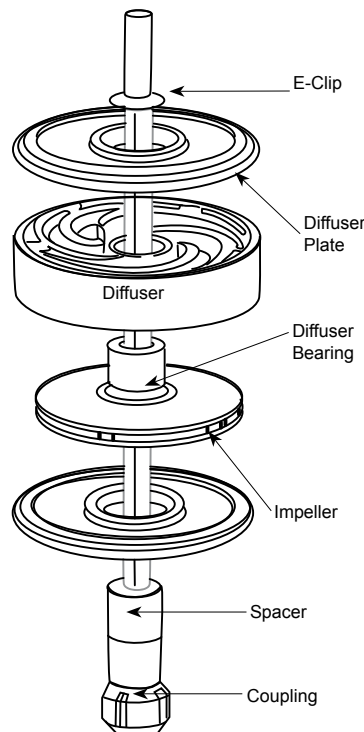
(\*) Cartridge assembly includes: Impellers, Diffuser, Hex Shaft w/Coupling, Bearing and Slinger.

(†) Part numbers for units fitted with S.S. Cable Guard.

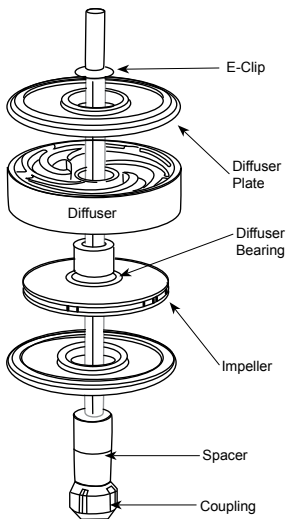
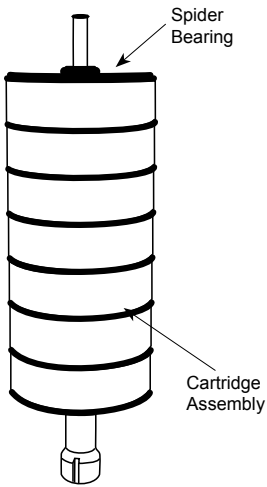
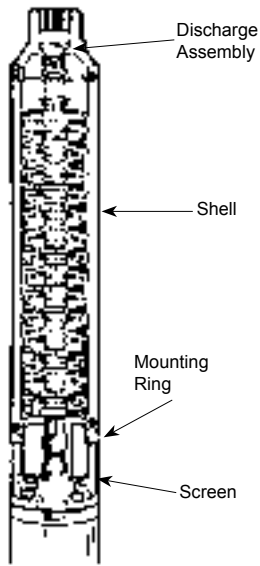
(††) Part numbers for units fitted with Thermoplastic Cable Guard.

(N/R) Not required

CARTRIDGE ASSEMBLY COMPONENTS (Oct. '06 & Earlier)							
(For Pricing Refer To Repair Parts Price List)							
5 - 7 - 10 - 19 & 27 GPM SERIES							
GPM		5	7	10	19	27	
NUMBER OF STAGES	1/3, 1/2R HP	11	7	6	—	—	
	1/2 HP	15	10	8	5	—	
	3/4 HP	21	14	12	7	6	
	1 HP	26	18	15	9	7	
	1-1/2 HP	35	24	20	12	10	
	2 HP	—	30	26	16	12	
	3 HP	—	—	34	22	17	
	5 HP	—	—	—	32	29	
DESCRIPTION	HP	QTY.	PART NUMBER				
Spacer		1	N/A	N/A	N/A	N/A	N/A
Impeller		*	130861	133728	130855	131330	133423
Diffuser		*	130865	130865	130859	131333	133424
Diffuser Bearing		*	130854	130854	130854	130854	130854
Diffuser Plate		†	130858	130858	130858	131342	131342
E-Clip		1	139439	139439	139439	139439	139439
Shaft & Coupling Assembly	1/3, 1/2R		N/A	N/A	N/A	N/A	N/A
	1/2		N/A	N/A	130887	131413	N/A
	3/4		N/A	N/A	N/A	131415	133047
	1	1	N/A	133751	130893	131417	130887
	1-1/2		N/A	N/A	130895	131419	N/A
	2		N/A	N/A	N/A	N/A	N/A
	3		N/A	N/A	N/A	N/A	N/A
	5		N/A	N/A	N/A	N/A	N/A
(*) For quantity required - See number of stages							
(†) Qty. - One plus number of stages							



## COMMANDER® SUBMERSIBLE PUMP REPAIR PARTS (Oct. '06 & Earlier) (For Pricing Refer To Repair Parts Price List)



5 - 7 - 10 - 19 & 27 GPM SERIES		
DESCRIPTION	QTY.	STAINLESS STEEL
		PART NUMBER
Discharge w/Check Valve Assembly	1	—
Mounting Ring	1	—
Screen	1	—
Fastener Kit *	1	137746

(\*) Fastener kit includes: Motor Mounting Nuts/Washers and Screen Bolts.

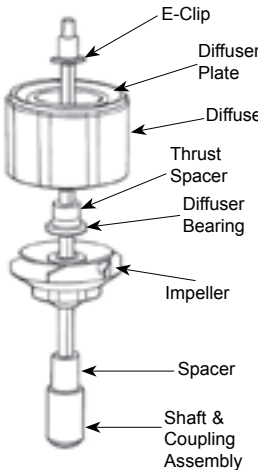
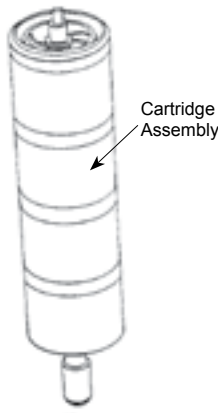
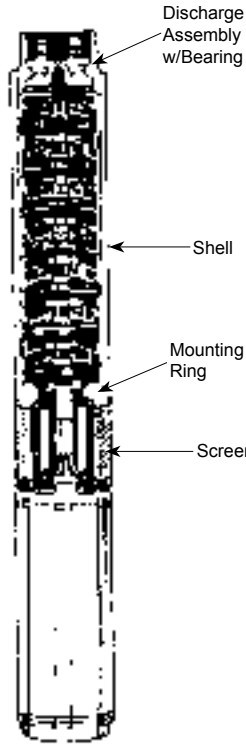
GPM		5	7	10	19	27	
NUMBER OF STAGES	1/2 HP	15	10	8	5	—	
	3/4 HP	21	14	12	7	6	
	1 HP	26	18	15	9	7	
	1-1/2 HP	35	24	20	12	10	
	2 HP	—	30	26	16	12	
	3 HP	—	—	34	22	17	
5 HP	—	—	—	32	29	—	
DESCRIPTION	HP	QTY.	PART NUMBER				
Cartridge Assembly *	1/2	1	N/A	N/A	N/A	138544	N/A
	3/4		N/A	N/A	N/A	138545	138845
	1		N/A	N/A	N/A	138546	138846
	1-1/2		N/A	N/A	N/A	138547	138847
	2		N/A	N/A	N/A	138548	138848
	3		N/A	N/A	N/A	138549	138849
Cable Guard Stainless Steel	1/2	1	N/A	N/A	N/A	N/A	N/A
	3/4		N/A	N/A	N/A	N/A	N/A
	1		N/A	N/A	N/A	N/A	N/A
	1-1/2		N/A	N/A	N/A	N/A	138796
	2		N/A	N/A	N/A	N/A	N/A
	3		N/A	N/A	N/A	138429	N/A
Shell - Stainless Steel	1/2	1	N/A	N/A	N/A	N/A	N/A
	3/4		N/A	N/A	N/A	N/A	N/A
	1		N/A	N/A	N/A	N/A	N/A
	1-1/2		N/A	N/A	N/A	137526	133616
	2		N/A	N/A	N/A	N/A	130910
	3		N/A	N/A	N/A	N/A	N/A
CARTRIDGE ASSEMBLY COMPONENTS							
Spacer		1	N/A	N/A	N/A	138788	138788
Impeller		•	130861	133728	130855	131330	133423
Diffuser		•	130865	130865	130859	131333	133424
Bearing		•	130854	130854	130854	130854	130854
Diffuser Plate		††	130858	130858	130858	131342	131342
E-Clip		1	139439	139439	139439	139439	139439
SpiderBearing		1	138344	138344	138344	138344	138344
Shaft & Coupling Assembly	1/2	1	N/A	N/A	N/A	138418	N/A
	3/4		N/A	N/A	N/A	138499	138789
	1		N/A	N/A	N/A	138500	138793
	1-1/2		N/A	N/A	N/A	138501	131417
	2		N/A	N/A	N/A	133751	133051
	3		N/A	N/A	N/A	138426	133622
5	N/A	N/A	N/A	138430	138800		

(\*) Cartridge includes: Impellers, Diffuser, Shaft w/Coupling, Spider Bearing and Slinger.

(•) For quantity required - See number of stages

(††) Qty. - One plus number of stages

## SUBMERSIBLE PUMP REPAIR PARTS (For Pricing Refer to Repair Parts Price List) 35 - 55 & 85 GPM Series



DESCRIPTION	QTY	CAST IRON	SS Oct '05 and earlier	SS Nov '05 & later
Discharge Assembly	1	020525	N/A	020528
Bearing	1	130867	130867	130867
Mounting Ring	1	139417	N/A	020521
Screen	1	137733	N/A	137733
Fastener Kit *	1	138781	137746	137746

(\* ) Fastener kit includes: Motor mounting nuts/washers and screen rivets/screws

GPM		35	55	85
NUMBER OF STAGES	1 HP	4	N/A	N/A
	1-1/2 HP	5	4	N/A
	2 HP	7	5	4
	3 HP	10	7	6
	5 HP	16	11	10
	7-1/2 HP	23	18	15

DESCRIPTION	HP	QTY	PART NO.					
			All CI and SS Nov '05 and later	SS Oct '05 and earlier	All CI and SS Nov '05 and later	SS Oct '05 and earlier	All CI and SS Nov '05 and later	SS Oct '05 and earlier
Cartridge Assembly (Includes impellers, diffuser, hex shaft w/ coupling, bearing and e-clip)	1	1	133134	139042	N/A	N/A	N/A	N/A
	1-1/2		133135	139043	133141	N/A	N/A	N/A
	2		133136	N/A	133142	N/A	133619	N/A
	3		133137	139045	133143	N/A	133626	N/A
	5		133587	139046	133145	N/A	133630	N/A
	7-1/2		133140	N/A	133146	N/A	133637	N/A
Cable Guard	1	1	136385	139000	N/A	N/A	N/A	N/A
	1-1/2		136386	139015	138767	020547	N/A	N/A
	2		020548	020551	020550	139363	136408	138796
	3		020549	139005	136388	137767	136390	137769
	5		137093		137090		137094	
	7-1/2		137098		137099		137100	
Shell	1	1	133035	N/A		N/A		
	1-1/2		133036	020353		N/A		
	2		020545	130909		133616		
	3		139004	138055		133038		
	5		139008	130913		131530		
	7-1/2		139012	139027		139040		

### CARTRIDGE ASSEMBLY COMPONENTS

Spacer	1	138676	N/A	138677	N/A	138678	N/A
>Diffuser Plate, Mtg. Ring	1	135735	135735		135736		
Impeller	•	132989	132990		133555		
Impeller Short Hub	•	N/A	N/A		N/A	N/A	
Diffuser	•	132991	132992		133556		
Diffuser Bearing	•	130854	130854		130854		
Diffuser Plate	•	132995	132995		133557		
Thrust Spacer	†	†	†		†		
E-Clip	1	139439	139439		139439		

Shaft & Coupling Assembly	1	1	133047	138499	N/A	N/A	N/A	N/A
	1-1/2		133049	130887	133747	N/A	N/A	N/A
	2		020772	N/A	020804	N/A	020771	N/A
	3		020783	020332	020779	N/A	020784	N/A
	5		020795	139007	020801	N/A	020796	N/A
	7-1/2		020806	N/A	020802	N/A	020836	N/A

(•) For quantity required, see number of stages

(>) Not shown

(†) For quantity required, see below

GPM	THRUST SPACER	1 HP	1-1/2 HP	2 HP	3 HP	5 HP	7-1/2 HP
35	021317	4	5	7	10	15	22
	134867	N/A	N/A	N/A	N/A	1	1
55	021318	N/A	4	5	7	11	18
85	021319	N/A	N/A	4	6	10	15

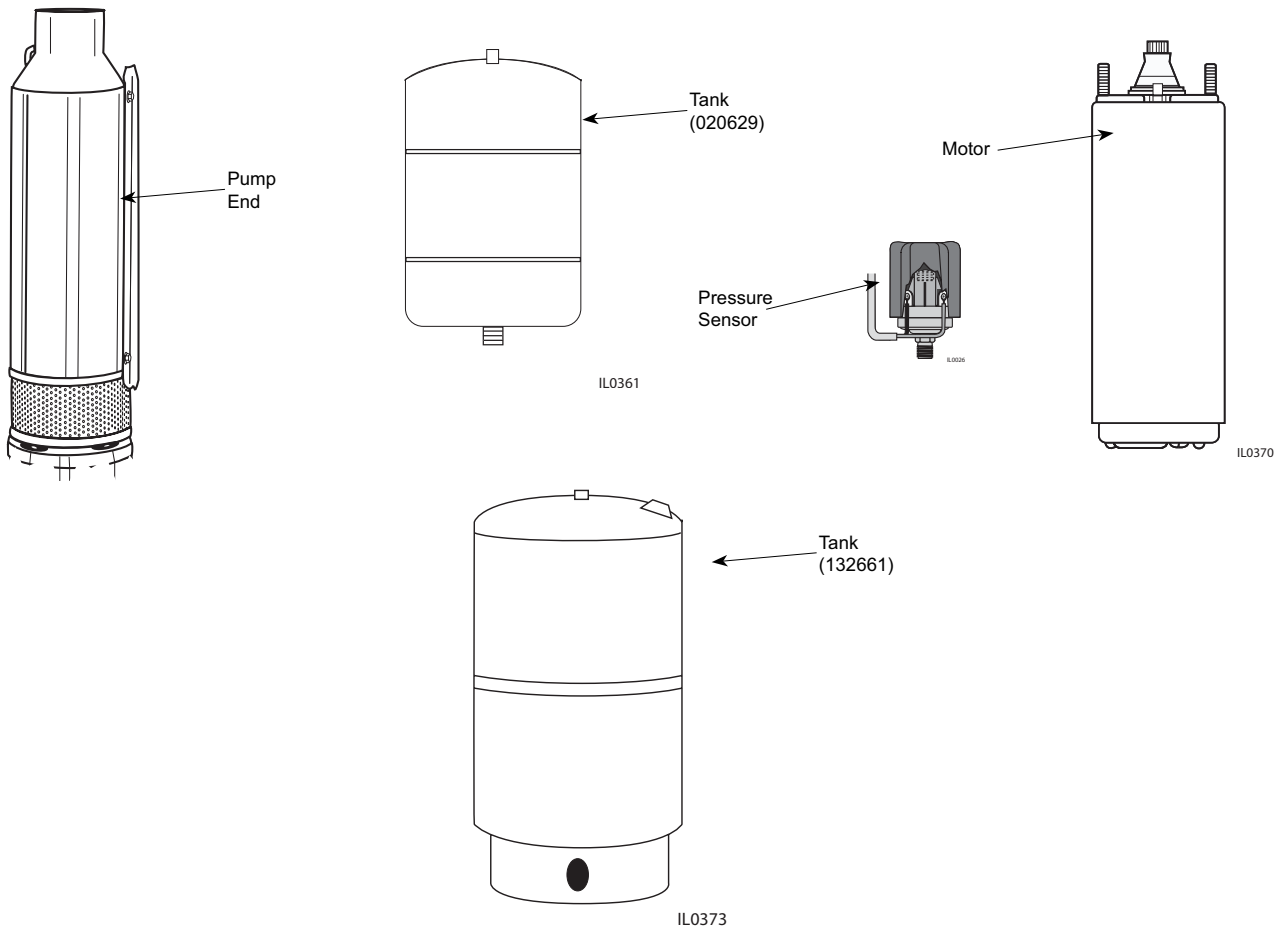
## COMMANDER PRO® SUBMERSIBLE PUMP REPAIR PARTS (For Pricing Refer To Repair Parts Price List)

<b>Commander Pro® 75 Systems</b>						
Description	Qty	CP7507	CP7510	CP7519	CP7527	CP7535
Pump End	1	CP7507RP	CP7510RP	CP7519RP	CP7527RP	CP7535RP
Motor	1	137458	137458	137458	137458	137458
Controller	1	020143	020143	020143	020143	020143
Tank	1	020629	020629	020629	020629	020629
Pressure Sensor Kit*	1	020627	020627	020627	020627	020627
100 Ft. Sensor Lead**	1	020628	020628	020628	020628	020628

\* Kit includes pressure sensor, 10 Ft. sensor lead & screwdriver/allen wrench  
 \*\*Not shown

<b>Commander Pro® 150 Systems</b>							
Description	Qty	CP15010	CP15019	CP15027	CP15035	CP15055	CP15085
Pump End	1	CP15010RP	CP15019RP	CP15027RP	CP15035RP	CP15055RP	CP15085RP
Motor	1	139424	139424	139424	139424	139424	139424
Controller	1	020475	020475	020475	020475	020475	020475
Tank	1	132661	132661	132661	132661	132661	132661
Pressure Sensor Kit*	1	020627	020627	020627	020627	020627	020627
100 Ft. Sensor Lead**	1	020628	020628	020628	020628	020628	020628

\* Kit includes pressure sensor, 10 Ft. sensor lead & screwdriver/allen wrench  
 \*\*Not shown

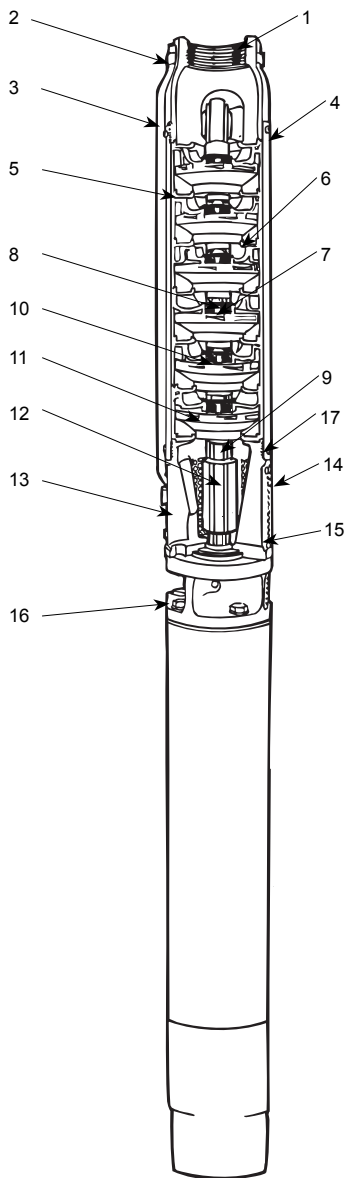




# SUBMERSIBLE PUMP REPAIR PARTS

(For Pricing Refer To Repair Parts Price List)

## “6P” SERIES: 50, 80 & 120 GPM



IL0429

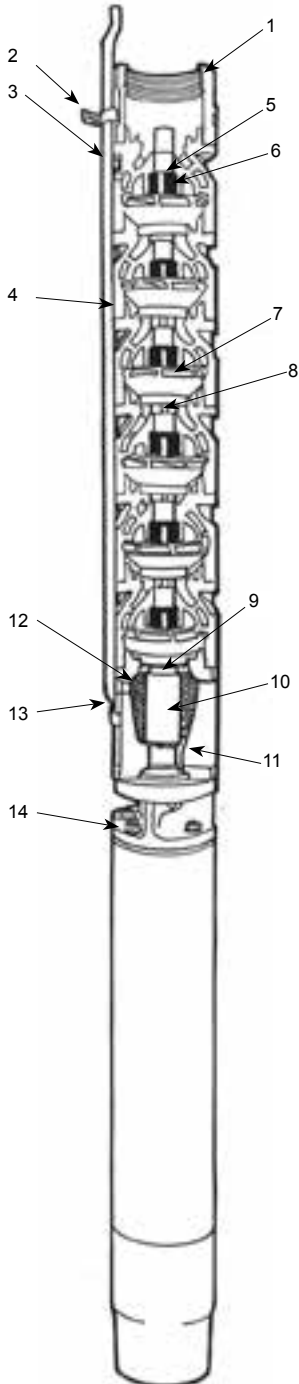
GPM		50	80	120			
<b>NUMBER OF STAGES</b>	5 HP	6 HP	4	2			
	7-1/2 HP	8 HP	6	3			
	10 HP	11 HP	8	4			
	15 HP	—	12	6			
	20 HP	—	16	8			
	25 HP	—	—	10			
	30 HP	—	—	12			
ITEM NO.	DESCRIPTION	HP	QTY.	PART NUMBER			
1	Discharge Assembly		1	133991	133991	133991	
2	Cable Guard Clamp		1	132010	132010	132010	
3	Cable Guard			See below	See below	See below	
4	Shell			See below	See below	See below	
5	Diffuser Plate		††	020904	133947	133947	
6	Diffuser		†	133946	133946	133946	
7	Diffuser Bearing		†	133980	133980	133980	
8	Bearing Sleeve (See below)		*	133975	133975	133975	
9	Bearing Sleeve (See below)		*	133976	133976	133976	
10	Thrust Washer		†	133979	133979	133979	
11	Impeller		†	020903	133945	133948	
12	Shaft & Coupling Assembly			See below	See below	See below	
‡	Snap Ring		1	020914	020914	020914	
13	Mounting Ring 5HP 4" Motor		1	133951	133951	133951	
13	Mounting Ring All 6" Motor		1	133950	133950	133950	
14	Screen		1	133952	133952	133952	
15	Screw/Machine		4	133993	133993	133993	
16	Fastener Pkg 5HP 4" Motor		1	134063	134063	134063	
16	Fastener Pkg All 6" Motor		1	134064	134064	134064	
17	Self Tap Screw		4	137996	137996	137996	
3	Cable Guard - Stainless Steel	5		139073	134048	134017	
		7-1/2		134058	134057	134056	
		10		020913	134058	134018	
		15	1	—	134060	134057	
		20		—	134023	134058	
		30		—	—	134059	
4	Shell - Stainless Steel	5		139072	133983	133981	
		7-1/2		133985	133984	133982	
		10		020912	133985	133983	
		15	1	—	133987	133984	
		20		—	133988	133985	
		30		—	—	133986	
12	Shaft & Coupling Assembly	4" Motor	5	1	020962	133964	133958
		6" Motor	5		020963	133962	133953
		6" Motor	7-1/2		133968	133966	133960
		6" Motor	10		020964	133968	133962
		6" Motor	15	1	—	133972	133966
		6" Motor	20		—	133974	133968
		6" Motor	25		—	—	133970
		6" Motor	30		—	—	133972
‡	Cartridge Assembly	4" Motor	5	1	020965	134223	134227
		6" Motor	5		020974	020975	020976
		6" Motor	7-1/2		020966	134224	134228
		6" Motor	10		020967	134225	134229
		6" Motor	15	1	—	134226	134230
		6" Motor	20		—	135128	134231
		6" Motor	25		—	—	134232
		6" Motor	30		—	—	134233

(†) For quantity required - See number of stages  
 (††) Quantity - Number of stages plus one (1) additional diffuser plate.  
 (‡) Not shown  
 (\*) For number of sleeve bearings required - See below

GPM	BEARING	5 HP	7-1/2 HP	10 HP	15 HP	20 HP	25 HP	30 HP
50	133975	5	8	10	—	—	—	—
	133976	3	1	1	—	—	—	—
80	133975	4	6	8	12	16	—	—
	133976	3	1	1	1	1	—	—
120	133975	3	4	5	7	9	11	13
	133976	2	—	—	—	—	—	—

## "A" Series SUBMERSIBLE PUMP REPAIR PARTS (For Pricing Refer To Repair Parts Price List)

### "6T" SERIES: 200 - 250 & 325 GPM



GPM		200	250	325		
<b>NUMBER OF STAGES</b>	5 HP	1	1	1		
	7-1/2 HP	2	2	2		
	10 HP	3	3	2		
	15 HP	4	4	3		
	20 HP	6	6	4		
	25 HP	7	7	5		
	30 HP	9	9	6		
	40 HP	12	12	8		
	50 HP	15	15	10		
	ITEM NO.	DESCRIPTION	HP	QTY.	PART NUMBER	
1	Discharge Head		1	N/A	N/A	N/A
2	Cable Guard Clamp		*	132010	132010	132010
3	Cable Guard			See below	See below	See below
4	Bowl Assembly		†	N/A	N/A	N/A
5	Rubber Bearing		†	N/A	N/A	N/A
6	Thrust Washer		1	N/A	N/A	N/A
7	Impeller		†	N/A	N/A	N/A
8	Collet		†	N/A	N/A	N/A
9	Shaft			See below	See below	See below
10	Coupling 5HP 4" Motor		1	131769	131769	131769
10	Coupling All 6" Motor		1	N/A	N/A	N/A
11	Mount Ring 5HP 4" Motor		1	N/A	N/A	N/A
11	Mount Ring All 6" Motor		1	N/A	N/A	N/A
12	Screen		1	N/A	N/A	N/A
13	Screw/Machine		4	133993	133993	133993
14	Fastener Pkg 5HP 4" Motor		1	134063	134063	134063
14	Fastener Pkg All 6" Motor		1	134064	134064	134064
3	Cable Guard Stainless Steel	5		134017	N/A	N/A
		7-1/2		134018	N/A	N/A
		10		N/A	N/A	N/A
		15		N/A	N/A	N/A
		20	1	N/A	N/A	N/A
		25		N/A	N/A	N/A
		30		N/A	N/A	N/A
40		N/A	N/A	N/A		
50		N/A	N/A	N/A		
9	Shaft	5		N/A	N/A	N/A
		7-1/2		N/A	N/A	N/A
		10		N/A	N/A	N/A
		15		N/A	N/A	N/A
		20	1	N/A	N/A	N/A
		25		N/A	N/A	N/A
		30		N/A	N/A	N/A
40		N/A	N/A	N/A		
50		N/A	N/A	N/A		

(†) For quantity required - See number of stages  
 (\*) For number of cable guard clamps required - See below  
 (††) Use impeller part number 135894 on 7-1/2HP 325GPM pump (6T325A07)

Number of Stages	1 -5	6 - 8	9 - 10	12	15
Number of Clamps Required	1	2	3	4	5

## FRANKLIN 1 PHASE CONTROL BOX COMPONENTS (For Pricing Refer To Repair Parts Price List)

### CONTROL BOX EQUIPPED WITH BLUE QD RELAY, CAPACITOR — NO OVERLOAD (DATE CODED AFTER JANUARY A94)

		1/3 HP		1/2 HP		3/4 HP	1 HP
		115V	230V	115V	230V	230V	230V
Control Box Numbers	F&W Order No. F.E. No. w/Blue QD Relay	127177 2801024915	127181 2801034915	127185 2801044915	127189 2801054915	127197 2801074915	126319 2801084915
Replacement Voltage Relay Kit	F&W Order No. F.E. No.	137683 305102901	137684 305102902	137683 305102901	137684 305102902	137684 305102902	137684 305102902
Replacement QD Relay Kit	F&W Order No. F.E. No.	137448 305101905	137449 305101901	137450 305101906	137451 305101902	137452 305101903	137453 305901904
Replaces	Relay No.	223415905	223415901	223415906	223415902	223415903	223415904
Replacement Capacitor	F&W Order No. F.E. No.	135553 305207925	135554 305207926	135555 305207951	135556 305207905	135557 305207918	133668 305207913
Replacement Overload Kit	F&W Order No. † F.E. No.	N/A 305100901	137678 305100902	137679 305100903	137680 305100904	137681 305100905	137682 305100906

† Add to control box for pre 1985 motors.

### CRC CONTROL BOX EQUIPPED WITH BLUE QD RELAY, RUN CAPACITOR (DATE CODED AFTER JANUARY A94)

		1/2 HP	3/4 HP	1 HP
		230V	230V	230V
Control Box Numbers	F&W Oder No. F.E. No. w/Blue QD Relay	136932 2824055015	136933 2824075015	136934 2824085015
Replacement QD Relay Kit	F&W Order No. F.E. No.	137785 305105901	137786 305105902	137787 305105903
Replaces	F.E. Relay No.	223415912	223415913	223415914
Replacement Start Capacitor	F&W Order No. F.E. No.	135556 305207905	135557 305207918	133668 305207913
Replacement Run Capacitor	F&W Order No. F.E. No.	137687 305203907	137688 305203908	137688 305203908

CRC boxes must be used with motors containing built-in overloads manufactured 1985 or later.

## FRANKLIN 1 PHASE CONTROL BOX COMPONENTS (For Pricing Refer To Repair Parts Price List)

### CONTROL BOX EQUIPPED WITH SOLID STATE SWITCH RELAY, CAPACITOR NO OVERLOAD (DATE CODED AUGUST H85 THRU DECEMBER M93)

		1/3 HP		1/2 HP		3/4 HP	1 HP
		115V	230V	115V	230V	230V	230V
Control Box Numbers	F&W Order No. F.E. No. w/SS Switch	127177 2801024910	127181 2801034910	127185 2801044910	127189 2801054910	127197 2801074910	126319 2801084910
Replacement Voltage Relay Kit	F&W Order No. ‡ F.E. No.	137683 305102901	137684 305102902	137683 305102901	137684 305102902	137684 305102902	137684 305102902
Replacement QD Relay Kit	F&W Order No. F.E. No.	N/A 305101905	137449 305101901	137450 305101906	137451 305101902	137452 305101903	137453 305101904
Replaces	SS Switch Relay †	152138905	152138901	152138906	152138902	152138903	152138904
Replacement Capacitor	F&W Order o. F.E. No.	135553 305207925	135554 305207926	135555 305207951	135556 305307905	135557 305207918	133668 305207913
Replacement Overload Kit	F&W Order No. †† F.E. No.	135558 305091901	N/A 305091902	135560 305091900	N/A 305091904	135562 305091905	135563 305091906

(†) SS switch relay no longer available - Replace with either replacement voltage relay kit or replacement QD relay kit.

(‡) Replacement voltage relay kit also replaces relay kit 155031901/134174 (115V) and 155031902/134175 (230V).

(††) Add overload kit for pre 1985 motors. Cannot be used at the same time with QD relay kits.

### CONTROL BOX EQUIPPED WITH EITHER VOLTAGE RELAY, CURRENT RELAY OR SOLID STATE SWITCH RELAY AND CAPACITOR/OVERLOAD (DATE CODED BEFORE AUGUST H85)

		1/3 HP		1/2 HP		3/4 HP	1 HP
		115V	230V	115V	230V	230V	230V
Control Box Numbers	F&W Order No. F.E. No. w/Voltage Relay F.E. No. w/Current Relay F.E. No. w/SS Switch	127177 2801020101 2801020103 2801020110	127181 2801030101 2801030103 2801030110	127185 2801040101 2801040103 2801040110	127189 2801050101 2801050103 2801050110	127197 2801070101 2801070103 2801070110	126319 2801080901 2801080103 2801080101
Replacement Voltage Relay Kit	F&W Order No. F.E. No.	137683 305102901	137684 305102902	137683 305102901	137684 305102902	137684 305102902	137684 305102902
Replaces	Volage Relay † Current Relay † SS Switch Relay †	155031101 155252103 152138905	155031102 155252101 152138901	155031101 155252105 152138906	155031102 155252102 152138902	155031102 155252103 152138903	155031102 155252104 152138904
Replacement Capacitor/Overload Assembly	F&W Order No. F.E. No.	N/A 151033973	N/A 151033974	132384 151033975 305218975	132385 151033976 305218976	132386 151033978 305218978	132387 151033979 305218978
Replacement Capacitor	F&W Order No. F.E. No.	128529 305205922	N/A 275461123	127092 305205901	127096 305205908	127094 305205906	127095 305205906
Overload Kit	F&W Order No. F.E. No.	135558 305091901	N/A 305091902	135560 305091903	135561 305091904	135562 305091905	135563 305091906

(†) Voltage relay, current relay and SS switch relay are no longer available - Replace with voltage relay kit. This kit also replaces relay kits 155031901/134174 (115V) and 155031902/134175 (230V).

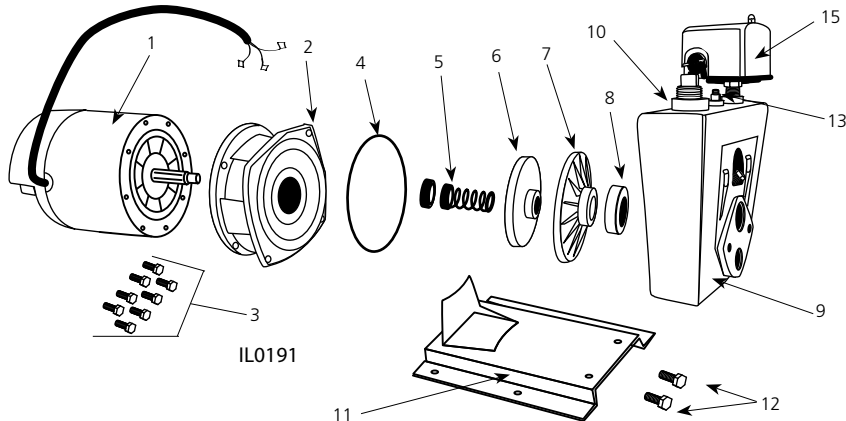
## FRANKLIN 1 PHASE CONTROL BOX COMPONENTS (For Pricing Refer To Repair Parts Price List)

1-1/2 — 15HP SINGLE PHASE CONTROL BOX										
MOTOR RATING		CONTROL BOX		CAPACITOR			OVERLOAD		RELAY PART NO. **	CONTACTOR PART NO.
HP	DIA	TYPE	PART NO. *	PART NO. *	TYPE	QTY.	PART NO. *	TYPE		
1-1/2	4"	STD	133589 2823008110	133668 305207913	S	1	132390 305215907		127102 305213902	N/R
				127098 305204902	R	1				
2	4"	STD	126321 2823018110	133668 305207913	S	1	132390 305215907	S	127102 305213902	N/R
				133669 305204903	R	1	136366 305215913	M		
		DLX	137224 2823018310	133668 305207913	S	1	132390 305215907	S	127102 305213902	135270 305226901
				133669 305204903	R	1	136366 305215913	M		
3	4"	STD	126322 2823028110	134310 305206923	S	1	132392 305215908	S	127102 305213902	N/R
				136595 305203909	R	1	136596 305215915	M		
		DLX	136800 2823028310	134310 305206923	S	1	132392 305215908	S	127102 305213902	135270 305226901
				136595 305203909	R	1	136596 305215915	M		
5	4 & 6"	STD	137225 2821138110	136367 305208919	S	1	132391 305215902	S	127102 305213902	N/R
				135268 305203914	R	2	137689 305214902	M		
		DLX	135269 2821139310	136367 305208919	S	1	132391 305215902	S	127102 305213902	135272 305347903
				135268 305203914	R	2	137689 305214902	M		
7-1/2	6"	DLX	135271 2822019310	136367 305208919	S	1	132391 305215902	S	134141 305213961	135272 305347903
				133594 305208918	S	1	136597 305214921	M		
				136595 305203909	R	1				
10	6"	DLX	135273 2822029310	136367 305208919	S	2	137689 305214902	S	134141 305213961	135274 305347902
				133670 305203902	R	2	136364 155409101	M		
15	6"	DLX	136362 2822039310	136367 305208919	S	2	137689 305214902	S	134141 305213961	135274 305347902
				136595 305203909	R	3	136365 155409102	M		
15	6"	DLX	136362 2822039330	020835 305206912	S	3	137689 305214902	S	134141 305213961	136363 305347901
				136365 155409102	R	3	136365 155409102	M		

(\*) F&W part number and corresponding Franklin Electric number — Please order by F&W part number.  
S = Start; M = Main; R = Run; DLX = Deluxe Control Box w/Contactor

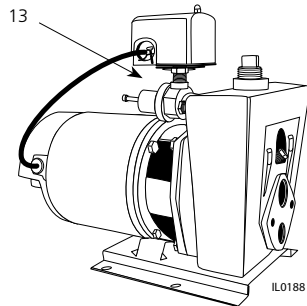
(\*\*) For 208V systems or where line voltage is between 200V and 210V a low voltage relay is required. Use relay part 134141 (305213961) in place of 127102 (315213902) or 136368 (605207913) in place of 134141 (305213961). Use the next larger cable size than specified in 230V table.  
Order lightning arrestor 127103 (150814902) if above ground protection is desired.

## CONVERTIBLE and SHALLOW WELL JET PUMP REPAIR PARTS "CPJ" and "CPJS" SERIES (For Pricing Refer To Repair Parts Price List)

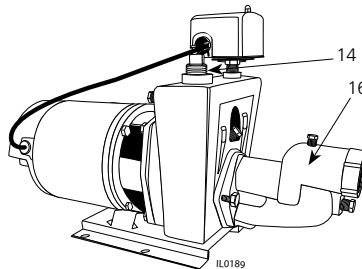


SERVICE KIT FOR JET PUMPS	
MODEL NO	KIT CONTAINS
KF01 <sup>1</sup>	Impeller, Diffuser, Rotary Seal, Quadraseal, Diffuser Rubber
KF02 <sup>2</sup>	
KF03 <sup>3</sup>	
KF16 <sup>4</sup>	
KF04 <sup>5</sup>	Rotary Seal, Quadraseal (2), Diffuser Rubber

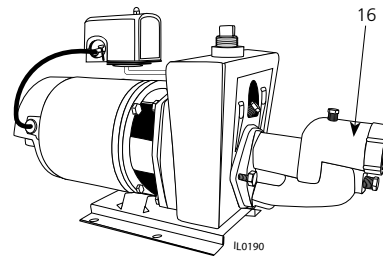
1. Applies to 1/3HP, CPJ Jet Pumps  
2. Applies to 1/2HP, CPJ & CPH Jet Pumps  
3. Applies to 3/4HP, CPJ & CPH Jet Pumps  
4. Applies to 1HP, CPJ & CPH Jet Pumps and VPH10  
5. Applies to all Horizontal Cast Iron Jet Pumps



**"CPJ" Convertible  
3/4 to 1-1/2 HP**



**"CPJS" Shallow Well  
1/3 to 1/2 HP**



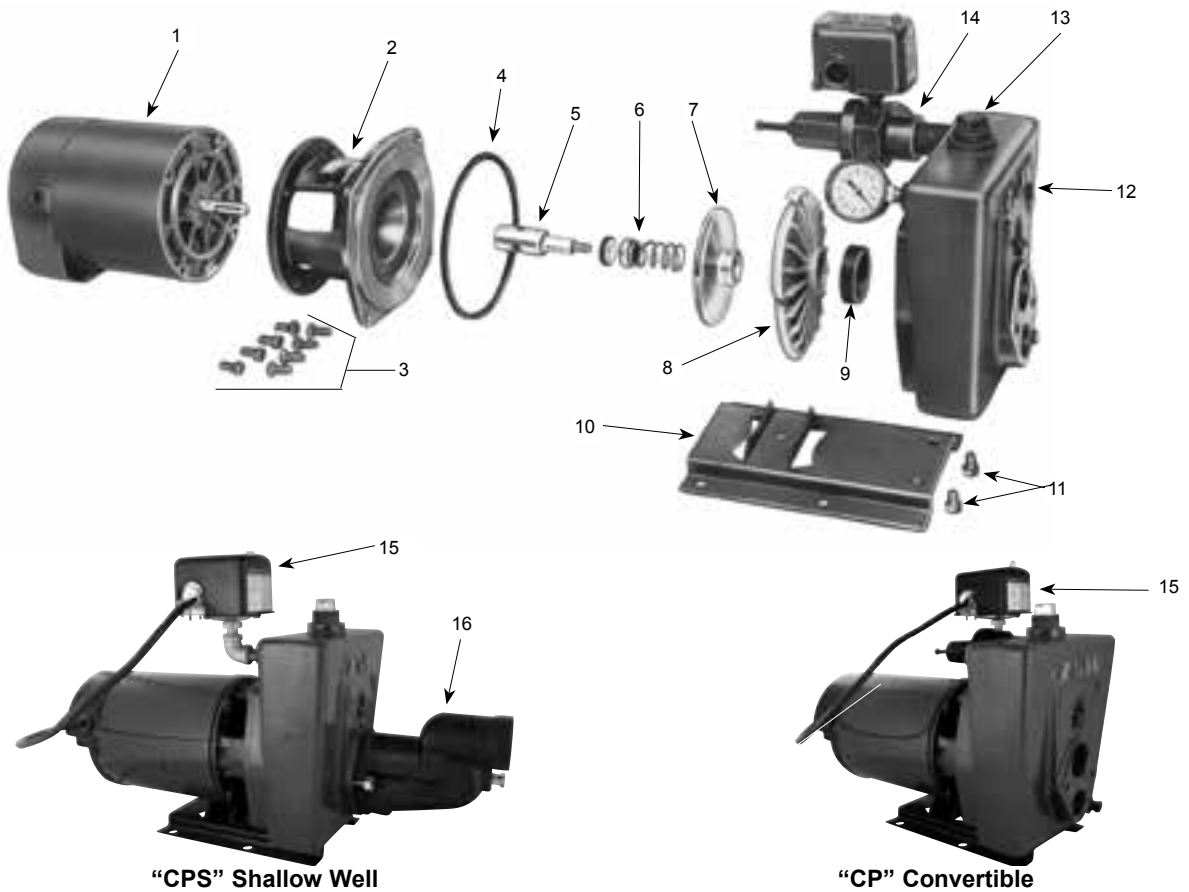
**"CPJS" Shallow Well  
3/4 to 1-1/2 HP**

ITEM	HORSEPOWER	PART NO.	1/3	1/2	3/4	1	1-1/2
	MODEL NO.: "CPJ" Convertible "CPJS" Shallow Well		CPJ03	CPJ05 CPJ05B	CPJ07 CPJ07B	CPJ10 CPJ10B	CPJ15
DESCRIPTION		QTY					
1	Motor, Nema J (Thd) Motor Cover w/Screws Screws, Cover Motor Lead Wire	021301R 021302	98J103 1 2 136135A	98J105 1 2 136135A	98J107 1 2 136135A	98J110 1 2 136135A	98J115 1 2 136136A
2	Mounting Ring	*	135314	135314	136137	136137	136137
3	Hex Hd. Cap Screws 3/8 x 3/4"		8	8	8	8	8
4	Ring, Square Cut	131100	132583	132583	132429	132429	132429
5	Seal, Rotary w/Spring		1	1	1	1	1
6	Impeller	132428	139348††	139349††	134137	134138	132417
7	Diffuser		132424	132424	132425‡	132425‡	132464
8	Rubber, Diffuser		1	1	1	1	1
9	Pump Body		132582	132582	132418	132418	132418
10	Plug, Priming	*	3/4" NPT	3/4" NPT	1" NPT	1" NPT	1" NPT
11	Base	132430A	1	1	1	1	1
12	Hex Hd. Cap Screws 3/8 x 1/2"	*	2	2	2	2	2
13	Control Valve "CPJ"		124330	124330	132446	132446	133383
14	Plug w/Gasket "CPJS"		128794	128794	-	-	-
15	Pressure Switch		132527	132527	132527	132527	132527
16	Shallow Well Ejector Package		SW03E-1626	SW05E-1630	SW07E-1432	SW10E-1334	SW15E-1238
†	Ejector Gasket Pkg. w/Bolts	132404	1	1	1	1	1
†	Ejector Gasket	130969	1	1	1	1	1

(\*) Standard Hardware Item  
(†) Not Shown  
(††) Impeller w/ 138138 Seal Ring  
(‡) Diffuser w/ 134240 Insert

## CONVERTIBLE and SHALLOW WELL JET PUMP REPAIR PARTS

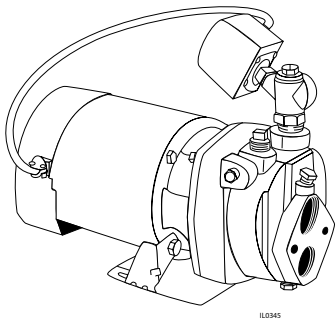
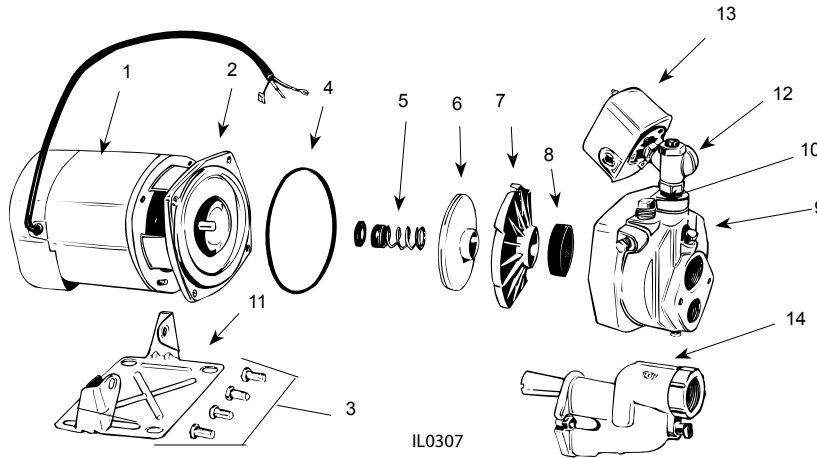
**“CP” and “CPS” SERIES Discontinued Product**  
(For Pricing Refer To Repair Parts Price List)



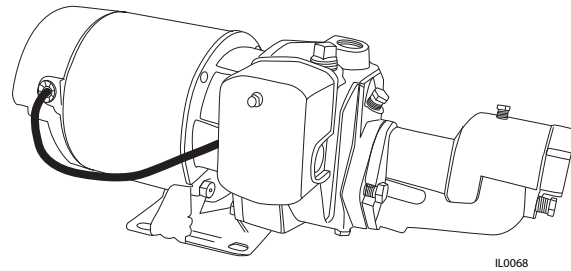
ITEM	HORSEPOWER		1/3	1/2	3/4	1	1-1/2
	MODEL NO.: “CP” Convertible “CPS” Shallow Well	PART NO.	CP03	CP05	CP07	CP10	CP15
			CP03S	CP05S	CP07S	CP10S	CP15S
DESCRIPTION		QTY.					
1	Motor, Nema C (Flatted)		98F103	98F105	98F107	98F110	98F115
†	Motor Cover w/Screws	021301R	1	1	1	1	1
†	Screws, Cover	021302	2	2	2	2	2
†	Motor Lead Wire		136135A	136135A	136135A	136135A	136136A
2	Mounting Ring	*	N/A	N/A	N/A	N/A	N/A
3	Hex Hd. Cap Screws 3/8 x 3/4"		8	8	8	8	8
4	Ring, Square Cut	132429	1	1	1	1	1
5	Shaft		N/A	N/A	N/A	N/A	N/A
6	Seal, Rotary w/Spring	131100	1	1	1	1	1
7	Impeller		126900	N/A	N/A	132415	133282
8	Diffuser		132424	132424	132425□	132425□	132464
9	Rubber, Diffuser	132428	1	1	1	1	1
10	Base	132430	1	1	1	1	1
11	Hex Hd. Cap Screws 3/8 x 1/2"	*	2	2	2	2	2
12	Pump Body	132418	1	1	1	1	1
13	Plug, Priming 1" NPT	*	1	1	1	1	1
14	Control Valve “CP”		132446	132446	132446	132446	133383
15	Pressure Switch “CP”		020345	132527	132527	132527	132527
15	Pressure Switch “CPS”	132527	1	1	1	1	1
16	Shallow Well Ejector Pkg.		SW03E-1626	SW05E-1630	SW07E-1432	SW10E-1334	SW15E-1238
†	Ejector Gasket Pkg. w/Bolts	132404	1	1	1	1	1
†	Ejector Gasket	130969	1	1	1	1	1
17	Pressure Gauge “CP”	023294	1	1	1	1	1

(\*) Standard hardware item  
(†) Not shown  
(□) Diffuser w/ 134240 Insert

# CONVERTIBLE and SHALLOW WELL JET PUMP REPAIR PARTS "CPH" SERIES (For Pricing Refer To Repair Parts Price List)



**"CPH" Convertible**



**"CPHS" Shallow Well**

### SERVICE KIT FOR JET PUMPS

MODEL NO	KIT CONTAINS
KF01 <sup>1</sup>	Impeller, Diffuser, Rotary Seal, Quadraseal, Diffuser Rubber
KF02 <sup>2</sup>	
KF03 <sup>3</sup>	
KF16 <sup>4</sup>	
KF04 <sup>5</sup>	Rotary Seal, Quadraseal (2), Diffuser Rubber

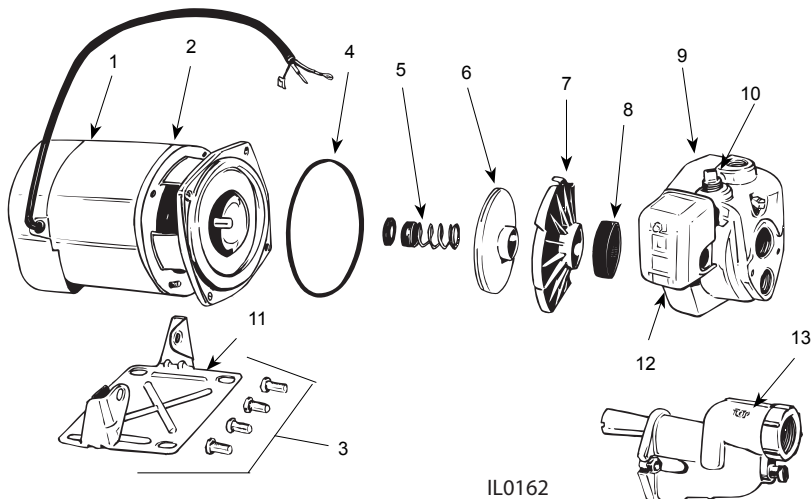
1. Applies to 1/3HP, CPJ & CPH Jet Pumps
2. Applies to 1/2HP, CPJ & CPH Jet Pumps
3. Applies to 3/4HP, CPJ & CPH Jet Pumps
4. Applies to 1HP, CPJ & CPH Jet Pumps and VPH10
5. Applies to all Horizontal Cast Iron Jet Pumps

ITEM	HORSEPOWER		1/3	1/2	3/4	1
	MODEL NO.: "CPH" Convertible "CPHS" Shallow Well	PART NO.	CPH03	CPH05	CPH07	CPH10
DESCRIPTION			CPH03S	CPH05S	CPH07S	CPH10S
			QTY.			
1	Motor, Nema J (Thd) Motor Cover w/screws Screws, Cover † Motor Lead Wire	021301R 021302 136135A	98J103 1 2 1	98J105 1 2 1	98J107 1 2 1	98J110 1 2 1
2	Mounting Ring	*	135314 4	135314 4	136137 4	136137 4
3	Hex Hd. Cap Screws 3/8 x 3/4"	*				
4	Ring, Square Cut		132583	132583	132429	132429
5	Seal, Rotary w/Spring	131100	1	1	1	1
6	Impeller		139348††	139349††	134137	134138
7	Diffuser		132424	132424	132425□	132425□
8	Rubber, Diffuser	132428	1	1	1	1
9	Pump Body		134311	134311	134312	134312
10	Plug, Priming	*	1/2" NPT	1/2" NPT	1/2" NPT	1/2" NPT
11	Base	128034	1	1	1	1
12	Control Assembly "CPH" Convertible Control Body Flow Control Screw	134349 135019 124330	1 1 1	1 1 1	1 1 1	1 1 1
13	Pressure Switch "CPH" Convertible Pressure Switch "CPHS" Shallow Well	131202 132527	1 1	132527 1	132527 1	132527 1
14	Shallow Well Ejector Package-"CPHS" † Ejector Gasket Pkg w/Bolts † Ejector Gasket	132404 130969	SW03E-1626 1 1	SW05E-1630 1 1	SW07E-1432 1 1	SW10E-1334 1 1

(\*) Standard hardware item  
 (†) Not shown  
 (††) Impeller w/ 138138 Seal Ring  
 (□) Diffuser w/ 134240 Insert



## SHALLOW WELL JET PUMP REPAIR PARTS "E" SERIES (For Pricing Refer To Repair Parts Price List)



IL0162

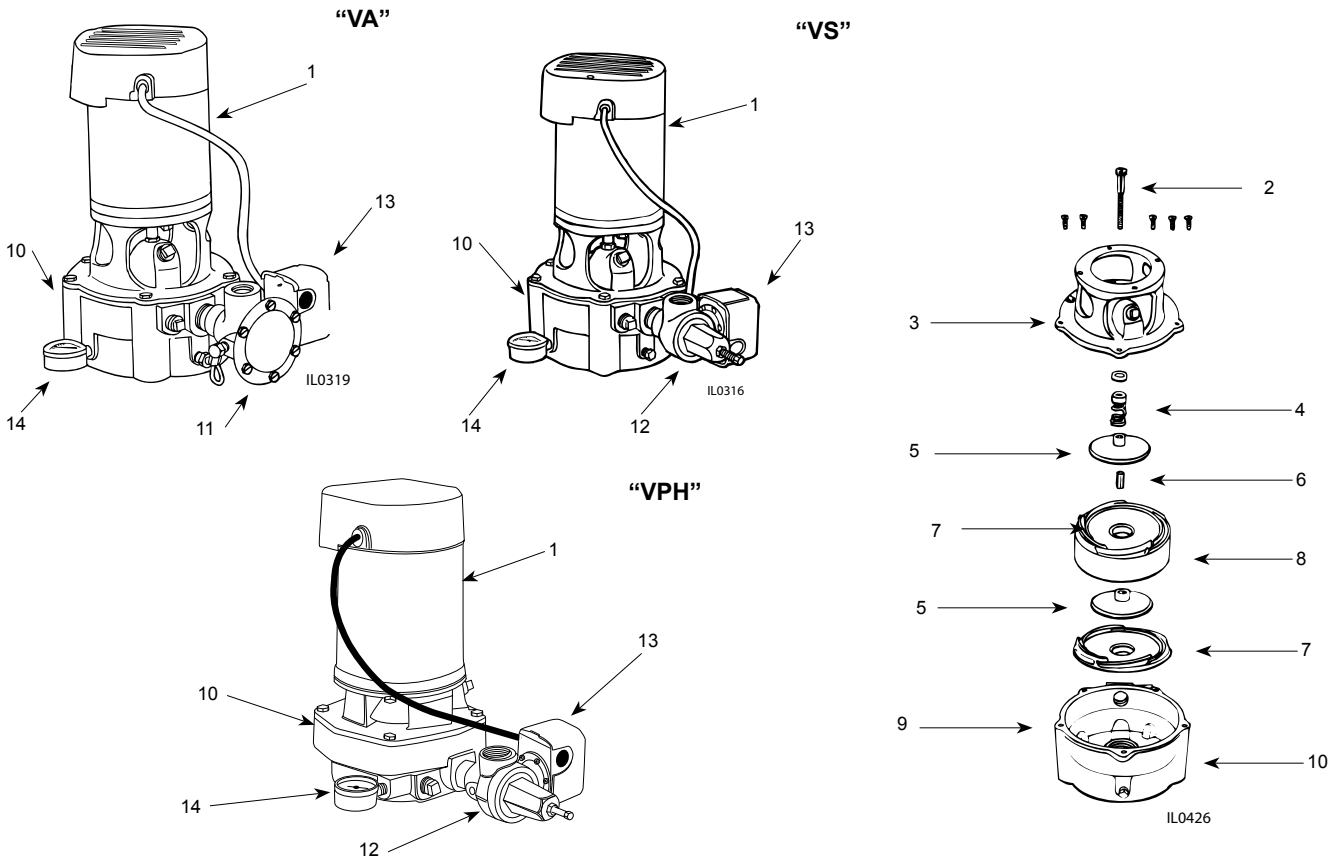
SERVICE KIT FOR JET PUMPS	
MODEL NO	KIT CONTAINS
KF04 <sup>A</sup>	Rotary Seal, Quadraseal (2), Diffuser Rubber
KF05 <sup>B</sup>	Impeller, Rotary Seal, Quadraseal and Diffuser Rubber
KF07 <sup>C</sup>	
KF10 <sup>D</sup>	

A. Applies to all Horizontal Cast Iron Jet Pumps  
 B. Applies to 1/2HP, "E" Series Jet Pumps\*  
 C. Applies to 3/4HP, "E" Series Jet Pumps\*  
 D. Applies to 1HP, "E" Series Jet Pumps\*  
 \*Order Diffuser Separately

ITEM	HORSEPOWER		1/2	3/4	1
	MODEL NO.:	PART NO.	EK05S	EK07S	EK10S
	DESCRIPTION		QTY.		
1	Motor, Nema J (Thd) Motor Cover w/Screws Screws, Cover	021301R 021302	98J105 1 2	98J107 1 2	98J110 1 2
†	Motor Lead Wire	136135A	1	1	1
2	Mounting Ring		135314	135314	136137
3	Hex Hd. Cap Screws 3/8 x 3/4"	*	4	4	4
4	Ring, Square Cut		132583	132583	132429
5	Seal, Rotary w/Spring	131100	1	1	1
6	Impeller		139348††	139349††	134137
7	Diffuser		132424	132424	132425□
8	Rubber, Diffuser	132428	1	1	1
9	Pump Body		134311	134311	134312
10	Plug, Priming	*	1/2" NPT	1/2" NPT	1/2" NPT
11	Base	128034	1	1	1
12	Pressure Switch		020345	020346	020346
13	Ejector Body	135021	1	1	1
†	Ejector Gasket Pkg w/Bolts	132404	1	1	1
†	Nozzle		4C39-16	4C39-16	4C39-14
†	Venturi		4C55-26	4C55-30	4C55-32

(\*) Standard hardware item  
 (†) Not shown  
 (††) Impeller w/ 138138 Seal Ring  
 (□) Diffuser w/ 134240 Insert

## DEEP WELL JET PUMP REPAIR PARTS “VA”, “VS” & “VPH” SERIES (For Pricing Refer To Repair Parts Price List)



ITEM	DESCRIPTION	HORSEPOWER	1/2	3/4	1	1-1/2	1
		STAGE	1	2	2	2	1
		MODEL NO.	VA105P VS105P	VA207P VS207P	VA210P VS210P	VA215P VS215P	VPH10
		PART NO.	QTY.				
1	Motor, Nema J (Thd)		98H105	98H107	98H110	98H115	98J110
	Motor Cover w/screws	023212	1	1	1	1	1
‡	Screws Cover	021302	2	2	2	2	2
	Motor Lead Wire		136135A	136135A	136135A	136136A	136135A
2	Shaft		135238	135239	135239	135239	N/R
3	Mounting Ring	135235	1	1	1	1	136873
	Hex Hd. Cap Screws 3/8 x 3/4"	*	9	9	9	9	8
4	Seal, Rotary w/Spring	131100	1	1	1	1	1
5	Impeller †	135248	135248	127960	132613	135248	134138
6	Spacer, Shaft	135245	—	1	1	1	—
‡	Spacer, Suction	135243	1	—	—	—	—
7	Diffuser †		135242	135241	135241	135242	132425
8	Intermediate Stage	135246	—	1	1	1	—
‡	Bearing, Intermediate Stage	135247	—	1	1	1	—
9	Ring, Square Cut	135240	1	1	1	1	132429
‡	Rubber, Diffuser	132428	—	—	—	—	1
10	Pump Body	135237	1	1	1	1	134312
11	Control Valve “VA”		C981D	C981G	C981G	C981G	—
12	Control Valve “VS” & “VPH”		132446	133383	133383	133383	132446
13	Pressure Switch	020346	1	1	1	1	1
14	Pressure Gauge	023294	1	1	1	1	1
‡	Plug, Priming 1/2" NPT	*	2	2	2	2	2
‡	Plug, Drain 1/4" NPT	*	1	1	1	1	1

(\*) Standard hardware item

(†) For quantity required — See number of stages

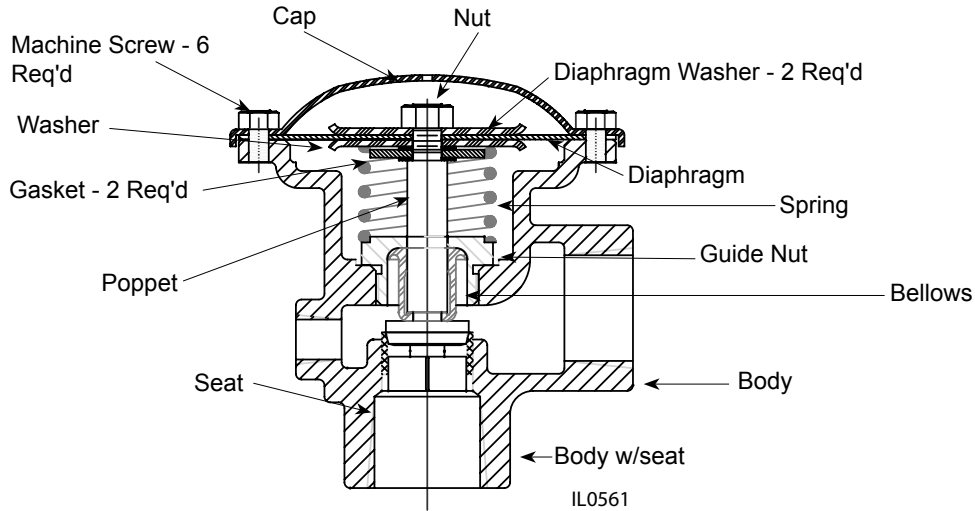
(‡) Not shown

NOTE: For horizontal installations, use optional pump base 135276A

# AUTOMATIC CONTROL VALVES FOR JET PUMP REPAIR PARTS

(For Pricing Refer To Repair Parts Price List)

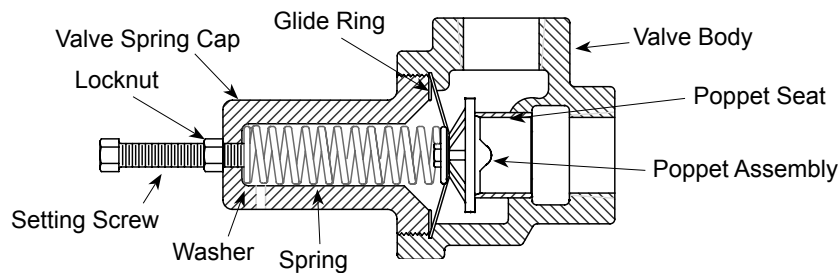
FORM NO. FW0037  
1105  
SUPERSEDES 0201  
PAGE 3-3A REPAIR PARTS



## C971, C981 AND C982 SERIES

MODEL NUMBER	C971A+	C971D+	C971E+	C971F+	C971G+
	C981A	C981D	C981E	C981F	C981G
	C982A+	C982D+	C982E+	C982F+	C982G+
DESCRIPTION	PART NUMBER				
Body with Seat	N/A	N/A	N/A	N/A	N/A
Seat	131324	131324	131324	131324	125207
Spring	126457	131737	131740	131744	131740
Bellows	124581	124581	124581	124581	124581
Gasket 5/16 x 5/8"	131746	131746	131746	131746	131746
Diaphragm	131743	131743	131743	131743	131743
Diaphragm Washer	133680	133680	133680	133680	133680
Repair Kit*	126458	125183	126824	126825	126826
Cap	131741	131741	131741	131741	131741

\* Each repair kit contains: Guide nut, Bellows, Poppet, Rubber Seal, Spring, Gasket, Diaphragm, Diaphragm Washer, 1/4" Machine Screws and 5/16" Hex Nut  
+ Discontinued



## SEMI-AUTOMATIC CONTROL VALVE REPAIR PARTS

MODEL NUMBER	132446	133383
DESCRIPTION	PART NUMBER	
Valve Body with Seat	N/A	N/A
Poppet Assembly	138175*	138175*
Glide Ring Washer	132442	132442
Spring	132445	133381
Washer for Spring	132444	132444
Setting Screw	132443	132443
Valve Cap	132439	132439

\* For valves manufactured after December 1995. Poppet assembly not available for valves manufactured prior to December 1995.

### EJECTOR, WELL ADAPTER & POWER HEAD REPAIR PARTS SHALLOW WELL, CONVERTIBLE & DOUBLE PIPE EJECTORS

EJECTOR TYPE		SHALLOW WELL	CONVERTIBLE	DOUBLE PIPE DEEP WELL		
MODEL NUMBER		SW-E	DW-E	DP30B	DP35B†	DP40B†
DESCRIPTION	QTY	PART NUMBER				
Body (Only)	1	135021	132433	124771	N/A	N/A
Nozzle *		4C39	4C39	4C39	4C39	4C39
Venturi *		4C55	4C55	4C55	4C55	4C55
Ejector Gasket Package **		132404	132404	132404	132404	132404
Gasket (Only)		130969	130969	130969	130969	130969
Adapter Flange **		N/R	N/R	N/R	N/R	N/A

(\*) For correct orifice size -- See jet pump selection charts in general catalog

(\*\*) Includes gasket and cap screws

(N/R) Not Required

(N/A) Not Available

(†) Discontinued

### SINGLE PIPE "PACKER" EJECTORS

EJECTOR TYPE		RUBBER PACKER	LEATHER PACKER				
MODEL NUMBER		SP20BR	SP20BL	SP20CL	SP22CL	SP25BL†	SP30BL†
DESCRIPTION	QTY	PART NUMBER					
Ejector Assembly *	1	N/A	132680	N/A	133374	N/A	N/A
Body with Screen	1	N/A	127408	N/A	133375	N/A	N/A
Nozzle **	1	4C39	4C39	4C39	4C39	4C39	4C39
Venturi **	1	4C55	4C55	4C55	4C55	4C55	4C55
Dog Spring Coupling	1	N/A	N/R	N/R	N/R	N/R	N/R
Spacer	1	N/R	124036	124036	124036	N/A	N/A
Packer (Rubber)	1	N/A	N/R	N/R	N/R	N/R	N/R
Packer (Leather)	2	N/R	124038	124038	124038	N/A	N/A
Washer (Brass Ring)	1	N/A	127944	127944	127944	N/A	N/A

(\*) Less nozzle and venturi

(\*\*) For correct orifice size -- See Jet Pump Selection charts in general catalog

(N/R) Not Required

(†) Discontinued models

### WELL ADAPTERS - STRAIGHT AND RIGHT ANGLE

WELL SIZE I.D.	2"	2"	2-1/2"	3"	3"
DRIVE PIPE	1"	1"	1"	1"	1"
SUCTION PIPE	1-1/4"	1-1/4"	1-1/4"	1-1/4"	1-1/4"
DROP PIPE	1"	1-1/4"	1-1/4"	1-1/2"	1-1/4"
STRAIGHT ADAPTER	129719*	129720*	129725†	129727†	129728†
RIGHT ANGLE ADAPTER	127025*	129723*	N/A	127949†	N/A

DESCRIPTION	QTY	PART NUMBER				
Body	1	N/A	N/A	N/A	N/A	N/A
Lower Packer Rubber	1	131975	131975	N/A	N/A	N/A
Lower Gland Flange	1	131219	131219	N/A	N/A	N/A
Ejector Gasket Package	1	132404	132404	132404	132404	132404
Gasket (Only)	1	130969	130969	130969	130969	130969
Machine Bolt w/Nut‡	3	3/8 x 2-1/2"	3/8 x 2-1/2"	7/16 x 3-1/2"	7/16 x 3-1/2"	7/16 x 3-1/2"

(\*) Includes all parts listed

(†) Discontinued Models

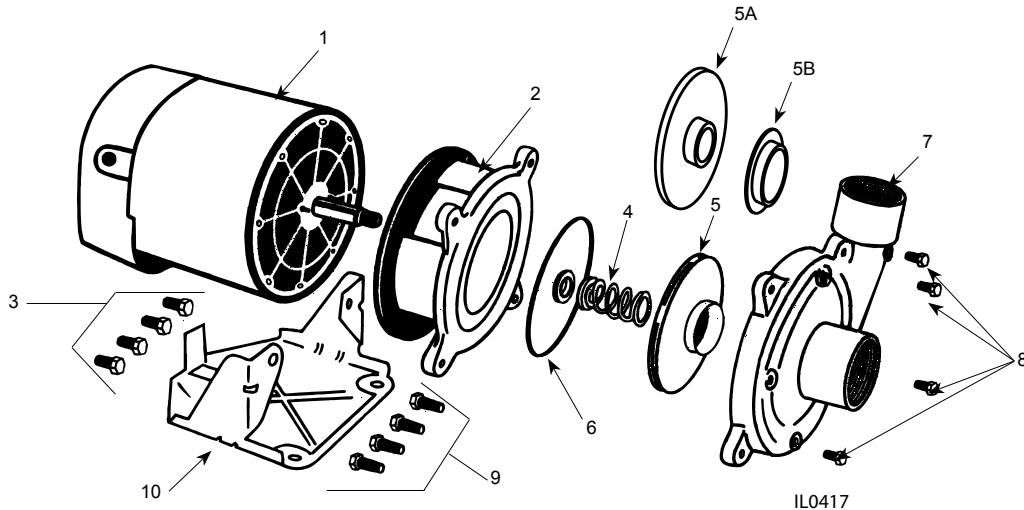
(‡) Standard hardware item

(N/A) Not available

### POWER HEAD CONVERSION UNIT REPAIR PARTS

DESCRIPTION	122649	135458
	PART NUMBER	
Ball Bearing (1.57 O.D.)	022962	022962
Ball Bearing (1.85 O.D.)	121777	121777
Shaft	122530	135457
Bearing Retainer	121758	121758
Retaining Ring	122478	122478 (2)

## CENTRIFUGAL PUMP REPAIR PARTS "CJ103" SERIES (For Pricing Refer To Repair Parts Price List)



		HP	1/3	1/2	3/4	1	1-1/2	2
		STAGE	1	1	1	1	1	1
ITEM	SINGLE PHASE BRASS IMPELLER	MODEL NO.	CJ103031	CJ103051	CJ103071	CJ103101	CJ103151	CJ103201
	THREE PHASE BRASS IMPELLER			CJ103053	CJ103073	CJ103103	CJ103153	CJ103203
	SINGLE PHASE PLASTIC IMPELLER		CJ103P031	CJ103P051	CJ103P071	CJ103P101	CJ103P151	CJ103P201
	THREE PHASE PLASTIC IMPELLER			CJ103P053	CJ103P073	CJ103P103	CJ103P153	CJ103P203
	DESCRIPTION	PART NO.	QTY.					
1	Motor, Nema J - 1PH	126905	1	1	1	1	1	1
1	Motor, Nema J - 3 PH	134107	—	98J105	98J107	98J110	98J115	98J120
	Motor Access Cover	*	1	98J305	98J307	98J310	98J315	98J320
	Screws, Access Cover	021301R	1	1	1	1	1	1
		021302	2	2	2	2	2	2
‡	Slinger Washer	126905	1	1	1	1	1	1
2	Mounting Ring	134107	1	1	1	1	1	1
3	Hex Hd. Cap Screws 3/8 x 3/4"	*	4	4	4	4	4	4
4	Seal, Rotary w/Spring	131100	1	1	1	1	1	1
5	Impeller - Brass	130403A	130403A	126900A	127805	127804	127806	127848
5A	Impeller - Plastic	133426	133426	139222	021280	135248	021279	N/A
5B	Clearance Ring	N/A	N/A	138138	134240	134240	134240	N/A
6	Ring, Square Cut †	132583	1	1	1	1	1	1
7	Body Assembly - Brass Impeller	021439	127870	127870	127780	127780	127780	127780
	Body Assembly - Plastic Impeller		1	1	1	1	1	N/A
‡	Suction Clearance Ring-Brass		127869A	127869A	N/A	N/A	N/A	N/A
8	Pipe Plugs, 1/8" NPT	*	4	4	4	4	4	4
9	Hex Hd. Cap Screws 3/8 x 1"	*	4	4	4	4	4	4
10	Base	125855	1	1	1	1	1	1

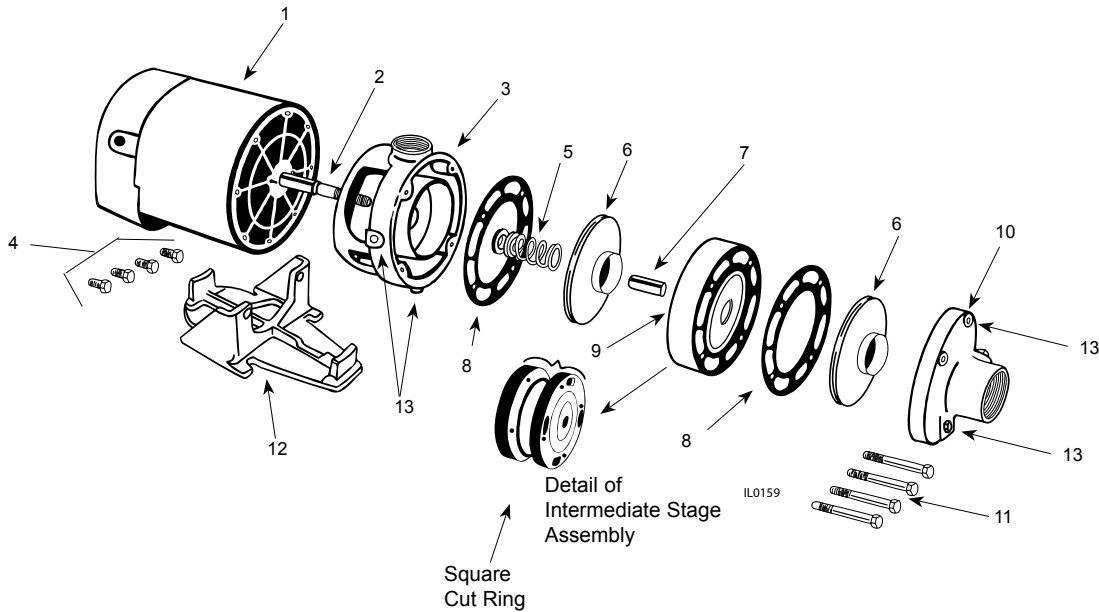
(\*) Standard hardware item

(‡) Not shown

(†) For pumps with paper gasket, replace with part number 127782

(Δ) Kit Includes: Access Cover, Screws & Wiring Diagrams

## CENTRIFUGAL PUMP REPAIR PARTS "CJ101" SERIES (For Pricing Refer To Repair Parts Price List)



		HP	3/4	1	1-1/2	2	2	3
		STAGE	2	2	2	2	3	3
ITEM	SINGLE PHASE - BRASS IMPELLER	MODEL NO.	CJ101B071	CJ101B101	CJ101B151	CJ101B201	CJ101C201	CJ101C301
	THREE PHASE - BRASS IMPELLER		CJ101B073	CJ101B103	CJ101B153	CJ101B203	CJ101C203	CJ101C303
	SINGLE PHASE - PLASTIC IMPELLER		CJ101P071	CJ101P101	CJ101P151	CJ101P201	CJ101D201	CJ101D301
	THREE PHASE - PLASTIC IMPELLER		CJ101P073	CJ101P103	CJ101P153	CJ101P203	CJ101D203	CJ101D303
DESCRIPTION		PART NO.	QTY					
1	Motor, Nema J - 1 PH		98J107	98J110	98J115	98J120	98J120	98J630
1	Motor, Nema J - 3 PH		98J307	98J310	98J315	98J320	98J320	023251
	Motor Cover w/Screws	021301R	1	1	1	1	1	1
	Screws, Cover	021302	2	2	2	2	2	2
‡	Slinger Washer	126905	1	1	1	1	1	1
2	Shaft		135279A	135279A	135279A	135279A	136612A	136612A
3	Mounting Ring	125204	1	1	1	1	1	1
4	Hex Hd. Cap Screws 3/8 x 3/4"	*	2	2	2	2	2	2
5	Seal, Rotary w/Spring	131100	1	1	1	1	1	1
6	Impeller, Brass		†135280	†135281	†126900	†126901	†139126	†136951
6	Impeller, Thermoplastic		†133425	†133427	†139180	†128472	†139348***	†139104
7	Spacer, Shaft	133380	1	1	1	1	2	2
8	Gasket	130968	2	2	2	2	3	3
9	Intermediate Stage Assy-Brass**	131239B	1	1	1	1	2	2
9	Intermediate Stage Assy-Plastic**	023405	1	1	1	1	2	2
‡	Suction Clearance Ring	130957	1	1	1	1	2	2
‡	Hub Clearance Ring	131282	1	1	1	1	2	2
‡	Square Cut Ring Interm. Stg.	020240	1	1	1	1	2	2
10	Suction Flange Assembly-Brass	125227A	1	1	1	1	1	1
10	Suction Flange Assembly-Plastic	023404	1	1	1	1	1	1
‡	Suction Clearance Ring	130957	1	1	1	1	1	1
‡	Suction Bearing	020053	1	1	1	1	1	1
11	Pump thru Bolts (Grade 5) 3/8" x 3-1/4"	*	4	4	4	4	--	--
11	Pump thru Bolts (Grade 5) 3/8" x 5"		--	--	--	--	4	4
12	Base w/ Bolts 3/8" x 1-1/4"	020054	1	1	1	1	1	1
13	1/4" NPT Plug	*	4	4	4	4	4	4

(\*) Standard hardware item

(†) For quantity required — See number of stages

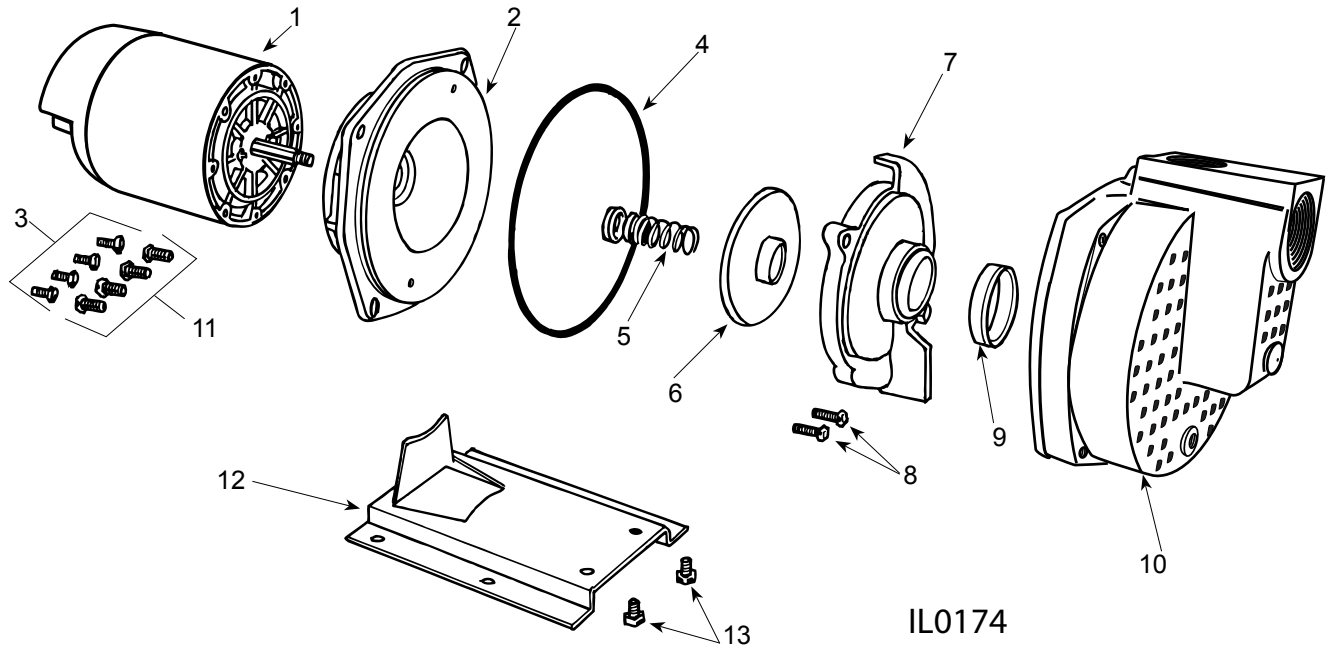
(‡) Not shown

(\*\*) Includes two castings, square cut ring, suction and hub clearance ring - See Detail Drawing

(\*\*\*) Includes 138138 seal ring and 139221 impeller

(Δ) Kit Includes: Access Cover, Screws & Wiring Diagrams

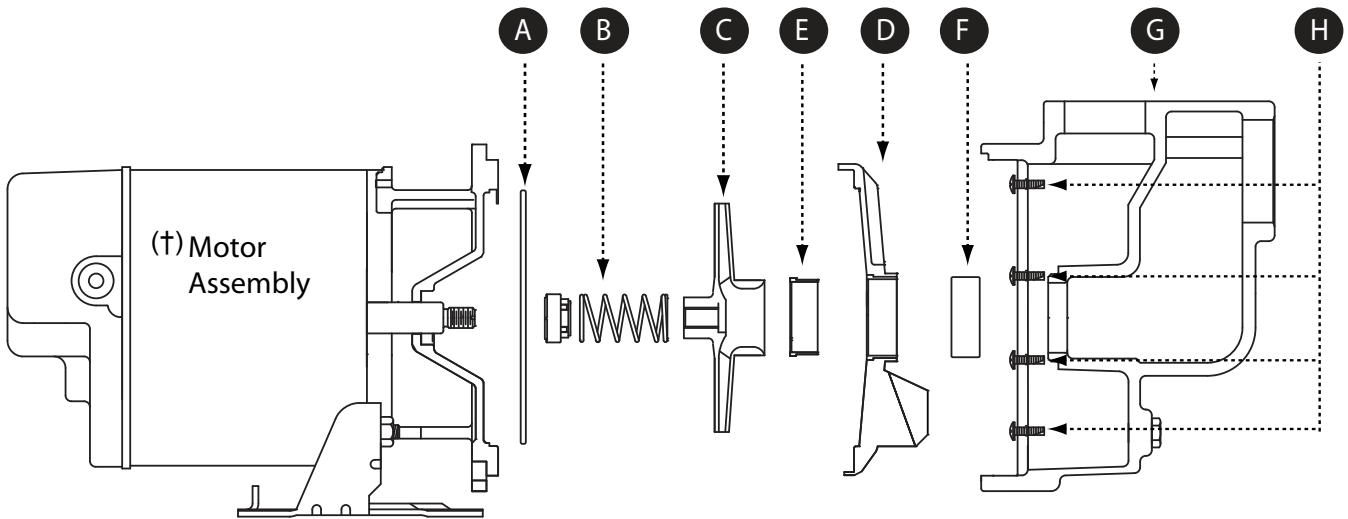
## SELF-PRIMER PUMP REPAIR PARTS "SPJ" SERIES (For Pricing Refer To Repair Parts Price List)



		HORSEPOWER	3/4	1	1-1/2	2	3
ITEM	SINGLE PHASE	MODEL NO.			SPJ15P1		
			SPJ07P1	SPJ10P1	SPJ15B1	SPJ20B1	SPJ30B1
THREE PHASE			SPJ07P3	SPJ10P3	SPJ15B3	SPJ20B3	SPJ30B3
DESCRIPTION		PART NO.	QTY				
1	Motor, Nema J - 1 PH		98J107	98J110	98J115	98J120	98J630
1	Motor, Nema J - 3 PH		98J307	98J310	98J315	98J320	023251
‡	Motor Cover w/Screws	021301R	1	1	1	1	1
‡	Screws, Cover	021302					
‡	Slinger, Washer	126905	1	1	1	1	1
2	Mounting Ring	133904	1	1	1	1	1
3	Hex Hd. Cap Screws 3/8 x 3/4"	*	4	4	4	4	4
4	Ring, Square Cut	133261	1	1	1	1	1
5	Seal, Rotary w/Spring	131100	1	1	1	1	1
6	Impeller, Plastic "P" Models		133646	135620	134138	—	—
6	Impeller, Brass "B" Models		—	—	133253	133255	138056
7	Diffuser w/ Insert	136469†	1	1	1	1	1
8	Hex Hd. Cap Screws 1/4 x 1"	*	2	2	2	2	2
9	Rubber Diffuser	133260	1	1	1	1	1
10	Pump Body	133362	1	1	1	1	1
11	Hex Hd. Cap Screws 7/16 x 1"	*	4	4	4	4	4
12	Base	134217A	1	1	1	1	1
13	Hex Hd. Cap Screws 3/8 x 1/2"	*	2	2	2	2	1

(\*) Standard hardware item  
(‡) Not shown  
(†) Diffuser w/ 134240 Insert

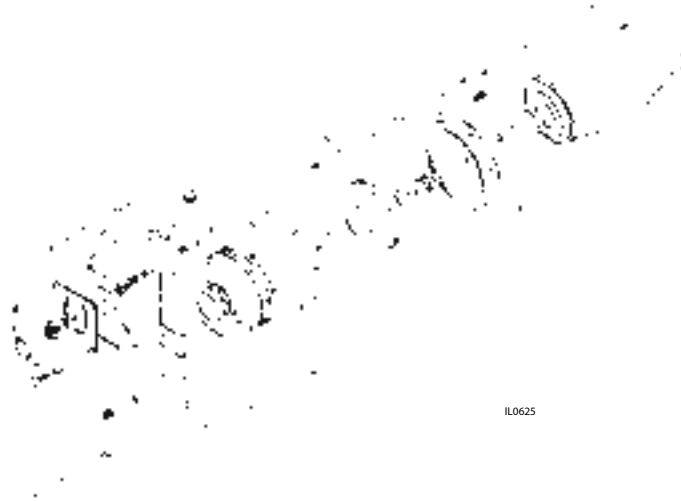
**SELF-PRIMER PUMP REPAIR PARTS**  
**“SP” SERIES**  
(For Pricing Refer To Repair Parts Price List)



		HP	1	1-1/2	2
ITEM	SINGLE PHASE	MODEL NO.	SP10P1	SP15P1	SP20P1
	DESCRIPTION	PART NO.			
A	Ring, Square Cut	132429	1	1	1
B	Seal, Rotary and Ceramic (with Spring)	131100	1	1	1
C	Impeller		023211	021280	023116
D	Diffuser	132425	1	1	1
E	Diffuser Insert	134240	1	1	1
F	Rubber Diffuser	132428	1	1	1
G	Pump Body	023115	1	1	1
H*	Hex Hd. Cap Screws 3/8 in. x 3/4 in.	*	4	4	4
(*) Standard hardware item					
(†) Motor assembly not available as a replacement part.					



## SELF-PRIMER PUMP REPAIR PARTS "SPM" SERIES (For Pricing Refer To Repair Parts Price List)



IL0625

a) SPM30A1    b) SPM30A3    c) SPM50A1    d) SPM50A3

Ref.	Part No.	a	b	c	d	Description	Description	Descripción
1	020595	1	1	1	1	Casing	Boîtier	Carcasa
2	020562	1	1	1	1	Diffuser	Diffuseur	Difusor
3	020560	1	1			Impeller	Roue de Turbine	Impulsor
3	020561			1	1	Impeller	Roue de Turbine	Impulsor
4	020606	1	1	1	1	Adapter	Adapteur	Adaptador
5	020558	1	1			Valve Body	Corps de soupape	Cuerpo de válvula
5	020559			1	1	Valve Body	Corps de soupape	Cuerpo de válvula
6	020565	1	1	1	1	Valve Gasket	Joint d'étanchéité du soupape	Empaque
7	+	1	1	1	1	Top Weight	Poids superieur	Peso superior
8	+	1	1	1	1	Bottom Weight	Poids inferieur	Peso inferior
9	*	1	1	1	1	Hex HD. bolt 1/4UNC x 1ZN PL	Hex HD. Boulon 1/4UNC x 1ZN PL	Perno Hex. 1/4UNC x 1ZN PL
10	+	1		1	1	Flinger	Cavalier	Anillo de goma
10	+		1			Flinger	Cavalier	Anillo de goma
11	020563	1	1	1	1	Seal	Joint	Sello
12	020596	1	1	1	1	Diffuser Ring	Anneau diffuseur	Anillo de difusor
16	020564	1	1	1	1	Gasket	Joint d'étanchéité	Empaque
17	*	8	8	8	8	Hex HD. Bolt 3/8 UNC x 1	Hex HD. Boulon 3/8UNC x 1	Perno Hex. 3/8UNC x 1
18	*	8	8	8	8	Hex HD. Bolt 3/8 UNC x 7/8	Hex HD. Boulon 3/8UNC x 7/8	Perno Hex. 3/8UNC x 7/8
19	134962	1				Motor 3HP*1PH*230V	Moteur 3HP*1PH*230V	Motor 3HP*1PH*230V
19	134965		1			Motor 3HP*3PH*230/460V	Moteur 3HP*3PH*230/460V	Motor 3HP*3PH*230/460V
19	134963			1		Motor 5HP*1PH*230V	Moteur 5HP*1PH*230V	Motor 5HP*1PH*230V
19	134966				1	Motor 5HP*3PH*230/460V	Moteur 5HP*3PH*230/460	Motor 5HP*3PH*230/460
21	*	1	1	1	1	Hex Nut 1/4UNC ZN PL	Hex écrou 1/4 UNC ZN PL	Tuerca 1/4 UNC ZN PL
22	020566	1	1	1	1	Sleeve	Manchon	Manga
23	020597	1	1	1	1	Spring Holder	Ressort détenteur	Resorte de soporte
28	*	1				Hex HD Bolt 3/8 UNC x 7/8	Hex HD. Boulon 3/8 UNC x 7/8	Perno Hex. 3/8 UNC x 7/8
28	*				1	Hex HD. Boulon 3/8UNC x 7/8 ZN PL	Hex HD. Boulon 3/8UNCx7/8ZN PL	Perno Hex. 3/8UNCx7/8ZN PL
28	*		1	1		Hex HD. Bolt 3/8 UNC x 7/8 SST	Hex HD. Boulon 3/8 UNC x 7/8 po inox	Perno Hex. 3/8 UNC x 7/8 SST
29	*	2	2	2	2	Pipe Plug 3/4 NPT	Bouchon de tuyau 3/4 NPT	Tapón de tubería 1/4NPT
30	*			1	1	Key 3/16 x 1.375	Cle 3/16 x 1.375	Llave 3/16 x 1.375
30	*	1	1			Key 3/16 x 1.25	Cle 3/16 x 1.25	Llave 3/16 x 1.25
31	*			1	1	Washer	Rondelle	Arandela
31	*	1	1			Washer	Rondelle	Arandela
32	*	1	1	1	1	Washer 1/4	Rondelle	Arandela

\* Standard Hardware Item  
+ Consult Factory

Article de quincaillerie standard  
Consulter l'usine

Pieza de herraje estándar  
Consulte con la fábrica

## CENTRIFUGAL PUMP REPAIR PARTS "C60" SERIES - Discontinued Models (For Pricing Refer To Repair Parts Price List)

### 2 STAGE

		HORSEPOWER	3/4	1	1-1/2	2
		STAGE	2	2	2	2
ITEM	SINGLE PHASE	MODEL NO.	C6067	C6069	C60615	C60620
	THREE PHASE		C60673	C60693	C606153	C606203
	DESCRIPTION	PART NO.	QTY			
1	Motor, 1 PH (Flatted Shaft)		98F107	98F110	98F115	98F120
1	Motor, 3 PH (Flatted Shaft)		98F307	98F310	98F315	98F320
	Motor Cover w/Screws	023212	1	1	1	1
‡	Screws, Cover	021302	2	2	2	2
2	Coupling	131735	1	1	1	1
	Set Screws 3/8 x 1/2" Cone Point	*	2	2	2	2
	Set Screws 3/8 x 5/16" Cup Point	*	2	2	2	2
3	Shaft	127325	1	1	1	1
4	Cartridge Seal (Complete)	131103	1	1	1	1
5	Mounting Ring	131234	1	1	1	1
‡	Hex Hd. Cap Screws 3/8 x 3/4"	*	4	4	4	4
6	Spring Centering Washer	131736	1	1	1	1
7	Spring	130963	1	1	1	1
8	Impeller, Brass †	1 & 3 PH	120610	125086	131276	131279
8	Impeller Nut - 1 HP	131285	1	1	1	1
9	Impeller Nt - 3 PH	126943	1	1	1	1
10	Gasket	130968	2	2	2	2
11	Intermediate Stage Assembly	131239A	1	1	1	1
	Suction Clearance Ring	130957	1	1	1	1
	Hub Clearance Ring	131282	1	1	1	1
12	Spacer Sleeve, Brass	131281	1	1	1	1
13	Base Assembly	N/A	1	1	1	1
	Suction Clearance Ring	130957	1	1	1	1
	Bearing, Brass	N/A	1	1	1	1
‡	Hex Hd. Cap Screws	*(4)	3/8 x 4-1/4"	3/8 x 4-1/4"	3/8 x 4-1/4"	3/8 x 4-1/4"
‡	Priming Valve Assembly	125030	1	1	1	1

### 3 and 4 STAGE

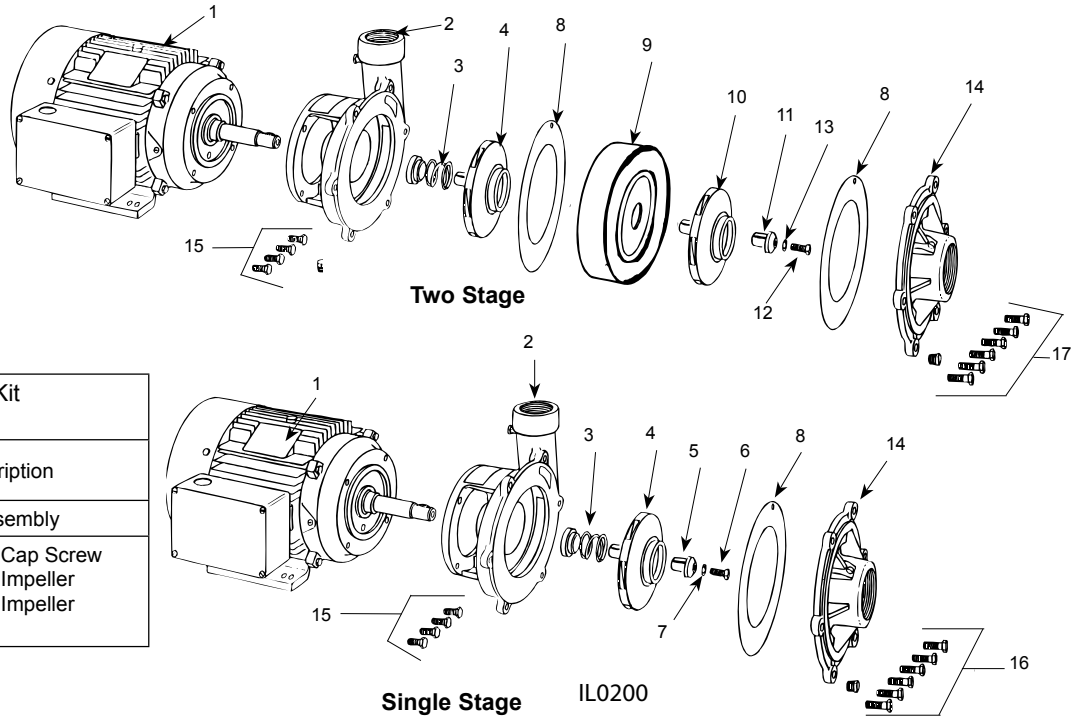
		HORSEPOWER	1-1/2	2	3	2	3
		STAGE	3	3	3	4	4
ITEM	SINGLE PHASE	MODEL NO.	C60715	C60720	C60730	C60820	C60830
	THREE PHASE		607153	C607203	C607303	608203	C608303
	DESCRIPTION	PART NO.	QTY				
1	Motor, 1 PH (Flatted Shaft)		98F115	98F120	N/A	98F120	N/A
1	Motor, 3 PH (Flatted Shaft)		98F315	98F320	N/A	98F320	N/A
	Motor Access Cover	021301R	1	1	-	1	-
‡	Screws, Access Cover	021302	2	2	-	2	-
2	Coupling	131735	1	1	1	1	1
	Set Screws 3/8 x 1/2" Cone Point	*	2	2	2	2	2
	Set Screws 3/8 x 5/16" Cup Point	*	2	2	2	2	2
3	Shaft		127326	127326	127326	N/A	N/A
4	Cartridge Seal (Complete)	131103	1	1	1	1	1
5	Mounting Ring	131234	1	1	1	1	1
‡	Hex Hd. Cap Screws 3/8 x 3/4"	*	4	4	4	4	4
6	Spring Centering Washer	131736	1	1	1	1	1
7	Spring	130963	1	1	1	1	1
8	Impeller, Brass †	1 & 3 PH	125086	131276	131279	125086	131276
8	Impeller Nut - 1 PH	131285	1	1	1	1	1
9	Impeller Nut - 3 PH	126943	1	1	1	1	1
10	Gasket	130968	3	3	3	4	4
11	Intermediate Stage Assembly	131239A	2	2	2	3	3
	Suction Clearance Ring	130957	1	1	1	1	1
	Hub Clearance Ring	131282	1	1	1	1	1
12	Spacer Sleeve, Brass	131281	2	2	2	3	3
13	Base Assembly	N/A	1	1	1	1	1
	Suction Clearance Ring	130957	1	1	1	1	1
	Bearing, Brass	N/A	1	1	1	1	1
‡	Hex Hd. Cap Screws	*(4)	3/8x6-1/4"	3/8x6-1/4"	3/8x6-1/4"	-	-
‡	Studs and Hex Nuts	*(4)				3/8x6-3/4"	3/8x6-3/4"
‡	Priming Valve Assembly	125030	1	1	1	1	1

(\*) Standard hardware item

(†) For quantity required -- See number of stages

(‡) Not shown

## CENTRIFUGAL PUMP REPAIR PARTS "C22000" SERIES (For Pricing Refer To Repair Parts Price List)



021434 Repair Kit Kit Includes:		
Qty.	Item No.	Part No. & Description
1	3	136559 Seal Assembly
1	•	136576 O-Ring, Cap Screw
1	•	136572 O-Ring, Impeller
1	•	136569 O-Ring, Impeller
2	8	124638 Gasket

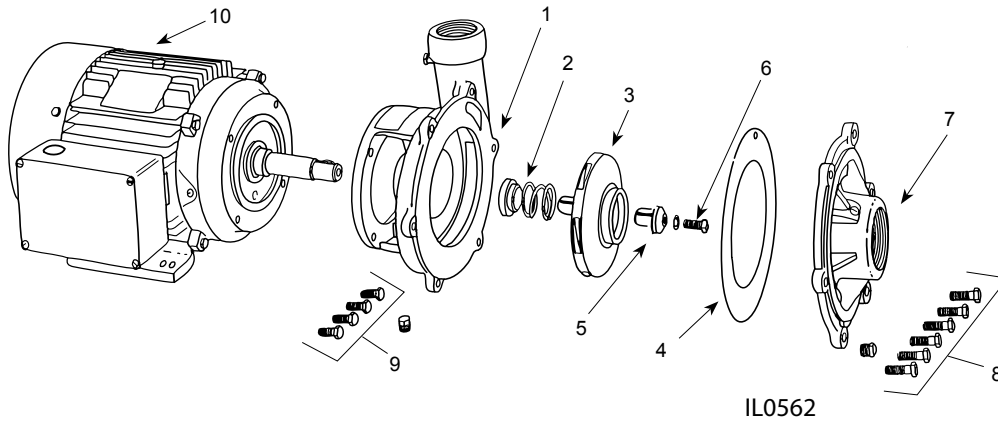
Product may not be exactly as shown.

ITEM		HORSEPOWER		3	5	3	5	7-1/2
		STAGE		1	1	2	2	2
		SINGLE PHASE		C22131	C22151	C22231	C22251	—
		THREE PHASE		C22133	C22153	C22233	C22253	C22273
DESCRIPTION		PART NUMBER						
1	Motor — 1 Phase	134962	134963	134962	134963	—	—	—
1	Motor — 3 Phase	134965	134966	134965	134966	134967	134967	134967
2	Mounting Ring	136556	136556	136556	136556	136556	136556	136556
3	Seal Assembly	136559	136559	136559	136559	136559	136559	136559
•	Key 3/16 x 27/32"	136560	136560	—	—	—	—	—
•	Key 3/16 x 2-1/32"	—	—	134977	134977	134977	134977	134977
4	Impeller	136561	136562	136563	136565	136567	136567	136567
•	O-Ring, Impeller	136569	136569	136569	136569	136569	136569	136569
5	Retainer, Impeller	136570	136570	—	—	—	—	—
6	Cap Screw 1" Long	136573	136573	—	—	—	—	—
•	O-Ring, Cap Screw	136576	136576	—	—	—	—	—
7	Lock Washer 3/8" S.S.	120649	120649	—	—	—	—	—
8	Gasket	124638 (1)	124638 (1)	124638 (2)	124638 (2)	124638 (2)	124638 (2)	124638 (2)
9	Intermediate Stage w/Clearance Ring	—	—	136578	136578	136578	136578	136578
•	Clearance Ring - Large	—	—	125176	125176	125176	125176	125176
•	Clearance Ring - Small	—	—	136577	136577	136577	136577	136577
10	Impeller (Front)	—	—	136564	136566	136568	136568	136568
11	Retainer, Impeller	—	—	136571	136571	136571	136571	136571
•	O-Ring, Impeller	—	—	136572	136572	136572	136572	136572
12	Cap Screws 2-1/4" Long	—	—	136575	136575	136575	136575	136575
•	O-Ring, Cap Screw	—	—	136576	136576	136576	136576	136576
13	Lock Washer 3/8" S.S.	—	—	120649	120649	120649	120649	120649
14	Suction Flange Assembly w/Clearance Ring	023089	023089	023089	023089	023089	023089	023089
•	Clearance Ring	125176	125176	125176	125176	125176	125176	125176
•	Pipe Plug 1/4" NPT	* (4)	* (4)	* (5)	* (5)	* (5)	* (5)	* (5)
15	Hex Hd. Cap Screws 3/8 x 1"	* (4)	* (4)	* (4)	* (4)	* (4)	* (4)	* (4)
16	Hex Hd. Cap Screws 3/8 x 1-1/4"	* (6)	* (6)	—	—	—	—	—
17	Hex Hd. Cap Screws 3/8 x 3-1/4"	—	—	* (6)	* (6)	* (6)	* (6)	* (6)

(\*) Standard hardware item

(•) Not shown

## CENTRIFUGAL PUMP REPAIR PARTS "C211" & "C2000" SERIES - Discontinued Models (For Pricing Refer To Repair Parts Price List)



### SINGLE STAGE

		C211 SERIES		C2000 SERIES	
HORSEPOWER		3	5	3	5
SINGLE PHASE		C2114130	C2114150	C2131	C2151
THREE PHASE		C2114330	C2214350	C2133	C2153
DESCRIPTION		PART NO.			
1	Mounting Ring	N/A	N/A	N/A	N/A
2	Seal	129868	129868	134969	134969
3	Impeller, Short Hub	124993	125090	134971	134972
4	Gasket	124638	124638	124638	124638
5	Impeller Retainer	N/A	N/A	N/A	N/A
▲	Short Key	*	N/A	N/A	N/A
6	Hex Hd. Cap Screws, S.S. 3/8 x 1"	*	*	*	*
7	Suction Assembly Flange w/Clearance Ring	N/A	N/A	N/A	N/A
▲	Clearance Ring	125176	125176	125176	125176
▲	Pipe Plug, 1/4" NPT	*	*	*	*
8	Hex Hd. Cap Screws, 3/8 x 1-1/4" (6)	*	*	*	*
9	Hex Hd. Cap Screws 3/8 x 1" (4)	*	*	*	*
10	Motor - 1 Phase	N/A	N/A	134962	134963
	Motor - 3 Phase	N/A	N/A	134965	134966

### TWO STAGE

		C211 SERIES			C2000 SERIES		
HORSEPOWER		3	5	7-1/2	3	5	7-1/2
SINGLE PHASE		C2116130	C2116150	-	C2231	C2251	-
THREE PHASE		C2116330	C2116350	C2116375	C2253	C2253	C2273
DESCRIPTION		PART NO.					
1	Mounting Ring	N/A	N/A	N/A	N/A	N/A	N/A
2	Seal	129868	129868	129868	134969	134969	134969
3	Impeller, Short Hub	125061	125063	125091	134973	134974	134975
4	Gasket	124638	124638	124638	124638	124638	124638
▲	Intermed. Stage Assy w/Clearance Rings	N/A	N/A	N/A	134979	134979	134979
▲	Impeller, Long Hub	125062	125064	125092	134980	134981	134982
▲	Long Key	N/A	N/A	N/A	134977	134977	134977
▲	Hex Hd. Cap Screw S.S. 3/8 x 1-1/2"	*	*	*	*	*	*
7	Suction Assy Flange w/Clearance Ring	N/A	N/A	N/A	N/A	N/A	N/A
▲	Clearance Ring, Large	125176	125176	125176	125176	125176	125176
▲	Clearance Ring, Small	N/A	N/A	N/A	134978	134978	134978
▲	Pipe Plug, 1/4" NPT	*	*	*	*	*	*
9	Hex Hd. Cap Screw 3/8 x 1" (4)	*	*	*	*	*	*
8	Hex Hd. Cap Screw 3/8 x 3-1/4" (6)	*	*	*	*	*	*
10	Motor - 1 Phase	N/A	N/A	N/A	134962	134963	-
	Motor - 3 Phase	N/A	N/A	N/A	134965	134966	134967

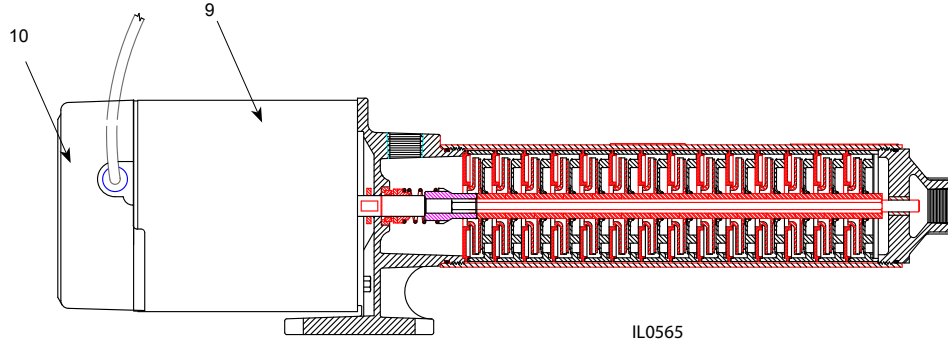
(\*) Standard hardware item  
(N/A) Not available  
(▲) Not shown

# PRESSURE BOOSTER PUMP REPAIR PARTS

(For Pricing Refer To Repair Parts Price List)

## Replacement Motors

FORM NO. FW0045  
1114  
SUPERSEDES 0813



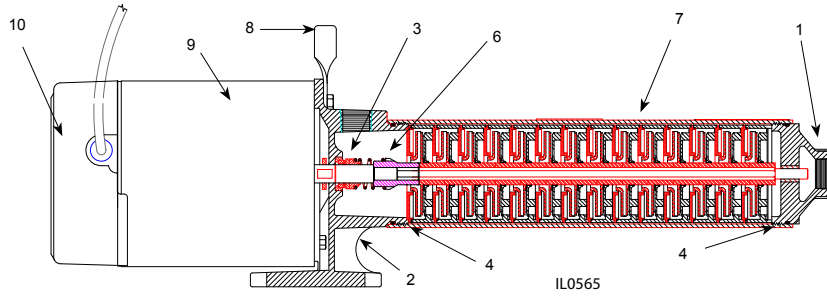
IL0565

ITEM	REPLACEMENT MOTORS	QTY	CAST IRON	POWDER COATED	STAINLESS STEEL	CAST IRON	POWDER COATED	STAINLESS STEEL
			<b>SINGLE PHASE 60 HZ</b>			<b>THREE PHASE 60 HZ</b>		
9	ODP NEMA J 1/3 HP	1	98J103	98J103	98S103			
	ODP NEMA J 1/2 HP		98J105	98J105	98S105	98J305	98J305	98S305
	ODP NEMA J 3/4 HP		98J107	98J107	98S107	98J307	98J307	98S307
	ODP NEMA J 1 HP		98J110	98J110	98S110	98J310	98J310	98S310
	ODP NEMA J 1-1/2 HP		98J115	98J115	98S115	98J315	98J315	98S315
	ODP NEMA J 2 HP		98J120	98J120	98S120	98J320	98J320	98S320
10	Motor Cover w/Screws	1	136132R	136132R	136132R	136132R	136132R	136132R
*	Screws, Motor Cover	2	136133	136133	136133	136133	136133	136133
			<b>SINGLE PHASE 50 HZ</b>			<b>THREE PHASE 60/50 HZ</b>		
9	ODP NEMA J 1/3 HP	1	98J003	98J003	98S003			
	ODP NEMA J 1/2 HP		98J005	98J005	98S005	98J305	98J305	98S305
	ODP NEMA J 3/4 HP		98J007	98J007	98S007	98J307	98J307	98S307
	ODP NEMA J 1 HP		98J010	98J010	98S010	98J310	98J310	98S310
	ODP NEMA J 1-1/2 HP		98J015	98J015	98S015	98J315	98J315	98S315
	ODP NEMA J 2 HP		98J820	98J820	98S820	98J320	98J320	98S320
10	Motor Cover w/Screws	1	136132R	136132R	136132R	136132R	136132R	136132R
*	Screws, Motor Cover	2	136133	136133	136133	136133	136133	136133
			<b>SINGLE PHASE 60/50 HZ</b>			<b>THREE PHASE 60/50 HZ</b>		
9	TEFC NEMA J 1/2 HP	1		020691	020691		021011	021011
	TEFC NEMA J 3/4 HP			021008	021008		021012	021012
	TEFC NEMA J 1 HP			021009	021009		020688	020688
	TEFC NEMA J 1-1/2 HP			020692	020692		020647	020647
	TEFC NEMA J 2 HP			020693	020693		020689	020689
	TEFC NEMA J 3 HP			021010	021010		020690	020690

\* Not Shown

# PRESSURE BOOSTER PUMP REPAIR PARTS

(For Pricing Refer To Repair Parts Price List)



	ITEM	DESCRIPTION	QTY	CAST IRON	POWDER COATED	STAINLESS STEEL	
<b>5 - 7 - 10 - 19 GPM, 60 HZ &amp; 50 HZ</b>	1	Discharge Head 3/4" NPT	1	132000	136905	136640	See replacement motors. ITEMS 9 & 10
	2	Mounting Ring 3/4" NPT	1	132002	136904	136639	
<b>27 - 35 GPM, 60 HZ &amp; 50 HZ</b>	1	Discharge Head 1" NPT	1	136635	137796	139166	
	2	Mounting Ring 1" NPT	1	136634	137794	139100	
<b>55 - 85 GPM, 60 HZ &amp; 50 HZ</b>	1	Discharge Head 2" NPT	1	021585	-	-	
	2	Mounting Ring 2" NPT	1	021584	-	-	
<b>ALL SERIES 60 HZ &amp; 50 HZ</b>	3	Seal, Rotary w/Spring	1	131100 †	131100 †	136682 ‡	
	4	O-Ring	2	131925 ■	131925 ■	136607 ▲	
	*	Hex Head Cap Screws 3/8" x 3/4"	4	121106	121106	121106	

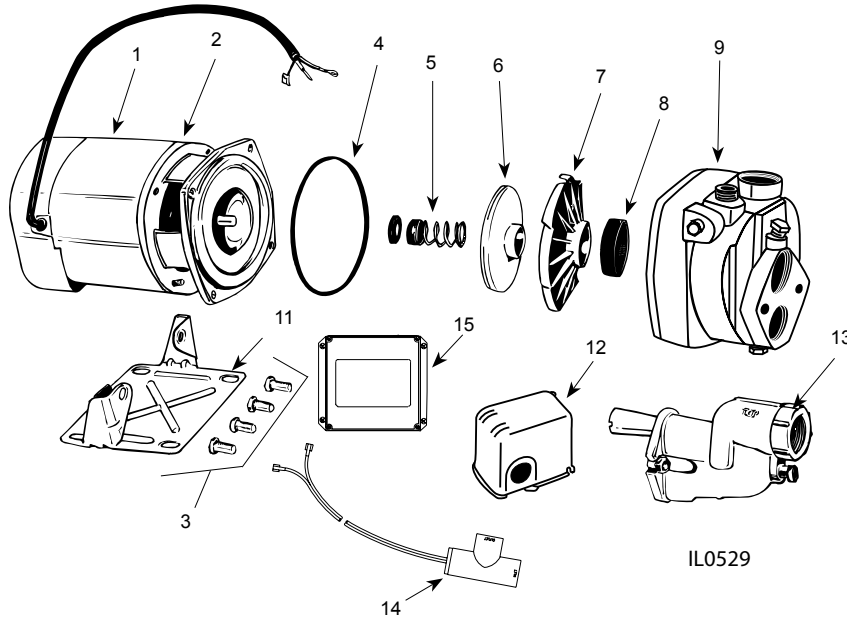
(†) Buna N - Carbon/Silicon Carbide (‡) Viton - Carbon/Silicon Carbide (■) Buna N (▲) Viton (\*) Not Shown  
(8) 132079 Handle available as an option

60 HZ MODELS	MATERIAL	CAST IRON	CI	PB0508AXXX	PB0512AXXX	PB0516AXXX	PB0712AXXX	PB1014AXXX	PB1016AXXX
		POWDER COATED	PC	PB0508CXXX	PB0512CXXX	PB0516CXXX	PB0712CXXX	PB1014CXXX	PB1016CXXX
		STAINLESS STEEL	SS	PB0508SXXX	PB0512SXXX	PB0516SXXX	PB0712SXXX	PB1014SXXX	PB1016SXXX
	ITEM	DESCRIPTION	MATERIAL	PART NUMBER					
5	Cartridge Assembly ‡	CI & PC	135163	132939	138447	134097	134998	135814	
			SS	136683	138450	136684	136685	136686	
6	Shaft & Coupling Assembly	CI & PC	135161	133336	138446	133336	134996	135813	
			SS	138938	136636	138449	136636	136637	136638
7	Barrel/Shell	CI, PC & SS	135162	132003	138448	132003	134997	135815	
60 HZ MODELS	MATERIAL	CAST IRON	CI	PB1914AXXX	PB2711AXXX	PB2714AXXX	PB3506AXXX	PB3508AXXX	
		POWDER COATED	PC	PB1914CXXX	PB2711CXXX	PB2714CXXX	PB3506CXXX	PB3508CXXX	
		STAINLESS STEEL	SS	PB1914SXXX	PB2711SXXX	PB2714SXXX	PB3506SXXX	PB3508SXXX	
	ITEM	DESCRIPTION	MATERIAL	PART NUMBER					
5	Cartridge Assembly ‡	CI & PC	137222	135627	136629	136626	136632		
			SS	139162	139163	138946	139164	139165	
6	Shaft & Coupling Assembly	CI & PC	137221	136624	136628	136625	136631		
			SS	139159	139157	137535	139156	139158	
7	Barrel/Shell	CI, PC & SS	137223	135628	136630	136627	136633		
60 HZ MODELS	MATERIAL	CAST IRON	CI	PB5504XX	PB5506XX	PB8504XX	PB8505XX		
		POWDER COATED	PC	PB5504XX	PB5506XX	PB8504XX	PB8505XX		
		STAINLESS STEEL	SS	PB5504XX	PB5506XX	PB8504XX	PB8505XX		
	ITEM	DESCRIPTION	MATERIAL	PART NUMBER					
5	Cartridge Assembly ‡	CI	022293	022294	022295	022296			
6	Shaft & Coupling Assembly	CI	022289	022287	022288	022287			
7	Barrel/Shell	CI, PC & SS	022291	022292	138151	022290			

50 HZ MODELS	MATERIAL	CAST IRON	CI	PB0508XXX	PB0514XXX	PB0714XXX	PB1020XXX	PB1022XXX	PB1023XXX
		POWDER COATED	PC	PB0508ZXXX	PB0514ZXXX	PB0714ZXXX	PB1020ZXXX	PB1022ZXXX	PB1023ZXXX
		STAINLESS STEEL	SS	PB0508YXXX	PB0514YXXX	PB0714YXXX	PB1020YXXX	PB1022YXXX	PB1023YXXX
	ITEM	DESCRIPTION	MATERIAL	PART NUMBER					
5	Cartridge Assembly ‡	CI & PC	135163	138150	021032	135907	135911		
			SS	138682	021033	138683	020280	138684	
6	Shaft & Coupling Assembly	CI & PC	135161	138149	138149	135906	020278	135910	
			SS	138938	138444	138444	138154	020278	137103
7	Barrel	CI, PC & SS	135162	138151	138151	135098	020094	135912	
50 HZ MODELS	MATERIAL	CAST IRON	CI	PB1920XXX	PB2717XXX	PB3508XXX	PB3514XXX	PB1922XXX	
		POWDER COATED	PC	PB1920ZXXX	PB2717ZXXX	PB3508ZXXX	PB3514ZXXX	PB1922ZXXX	
		STAINLESS STEEL	SS	PB1920YXXX	PB2717YXXX	PB3508YXXX	PB3514YXXX	PB1922YXXX	
	ITEM	DESCRIPTION	MATERIAL	PART NUMBER					
5	Cartridge Assembly ‡	CI & PC	020982	020980	136632	021017	139435		
			SS	020095	138949	139165	021026	*	
6	Shaft & Coupling Assembly	CI & PC	020971	020916	136631	021015	139434		
			SS	020093	138948	139158	021020	021425	
7	Barrel	CI, PC & SS	020094	138947	136633	021016	139436		

(‡) Cartridge assembly includes: impellers, diffusers, o-rings and shaft & coupling assembly. Components not available individually. Sold as assembly only.

## PRESSURE BOOSTER SYSTEM REPAIR PARTS “FCP2 AND SCP2” SERIES (For Pricing Refer To Repair Parts Price List)



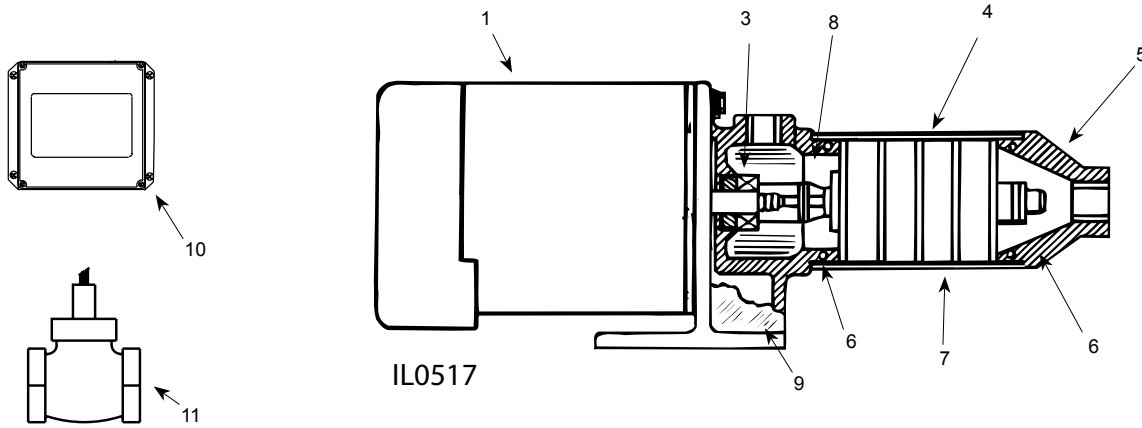
SERVICE KIT FOR JET PUMPS	
MODEL NO	KIT CONTAINS
KF04 <sup>A</sup>	Rotary Seal, Quadraseal (2), Diffuser Rubber
KF05 <sup>B</sup>	Impeller, Rotary Seal, Quadraseal and Diffuser Rubber
KF07 <sup>C</sup>	

- A. Applies to all Horizontal Cast Iron Jet Pumps
- B. Applies to 1/2HP Booster Pump
- C. Applies to 3/4HP Booster Pump

ITEM	HORSEPOWER		1/2	3/4
	MODEL NO.:	PART NO.	QTY.	
	DESCRIPTION			
1	Motor, Nema J (Thd)		98J105	98J107
	Motor Access Cover w/screws Screws, Access Cover	021301R 021302	1 2	1 2
2	Mounting Ring		021642	021642
3	Hex Hd. Cap Screws 3/8 x 3/4"	*	4	4
4	Ring, Square Cut		132583	132583
5	Seal, Rotary w/Spring	131100	1	1
6	Impeller		139348††	139349††
7	Diffuser		132424	132424
8	Rubber, Diffuser	132428	1	1
9	Pump Body		021640	021640
11	Base	128034	1	1
12	Pressure Switch	022996	1	1
13	Ejector Body	021644	1	1
†	Ejector Gasket Pkg w/Bolts	132404	1	1
†	Nozzle		4C39-10	4C39-10
†	Venturi		4C55-34	4C55-34
14	Flow Control Switch PVC	021947	1	1
15	Solid State Control	021945	1	1

- (\*) Standard hardware item
- (†) Not shown
- (††) Impeller w/ 138138 Seal Ring
- (□) Diffuser w/ 134240 Insert
- (Δ) Motor access cover kit includes: access cover, screws & wiring diagram

## PRESSURE BOOSTER PUMP REPAIR PARTS STAINLESS STEEL BOOSTER PUMP — 60 Hz (For Pricing Refer To Repair Parts Price List)



ITEM	STAINLESS STEEL	HORSEPOWER		1/3	1/2	3/4
		SINGLE PHASE	MODEL NO.	FCP3208 FCP3208S	FCP3312 FCP3312S	FCP3420 FCP3420S
		DESCRIPTION		PART NO.	QUANTITY	
1	Motor, 1 PH Nema J • Motor Access Cover • Screws, Access Cover		021301R 021301	98S103 1 2	98S105 1 2	98S107 1 2
3	Seal, Rotary w/Spring - Viton		136682	1	1	1
4	Barrel			021457	021458	021495
5	Discharge Head - Stainless Steel		136640	1	139166	139166
6	O-Ring, Buna		131925	2	2	2
7	Cartridge Assembly †			021535	021536	021537
8	Shaft & Coupling Assembly			021454	021455	021456
9	Mounting Ring - Stainless Steel • Hex Hd. Cap Screws 3/8 x 3/4"		*	136639 4	139100 4	021592 4
10	Control Box		021945	1	1	1
11	Flow Sensor		021946	1	1	1

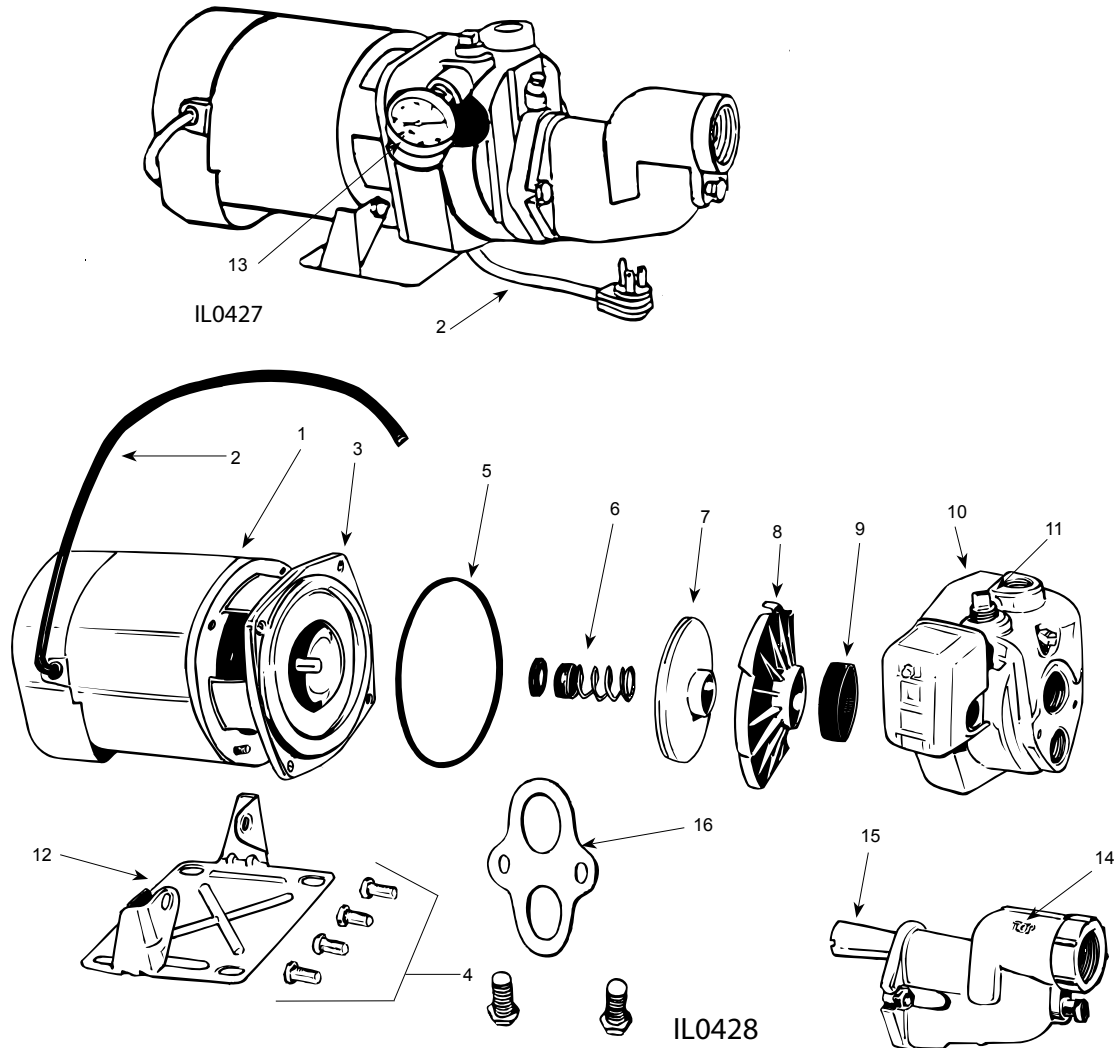
(\*) Standard hardware item

(•) Not shown

(†) Cartridge assembly includes: Impeller, Diffusers, Shaft and Coupling Assembly and O-rings. Components not available individually. Sold as assembly only.



## “CPH” MISTING PUMP REPAIR PARTS (For Pricing Refer To Repair Parts Price List)



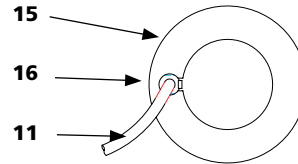
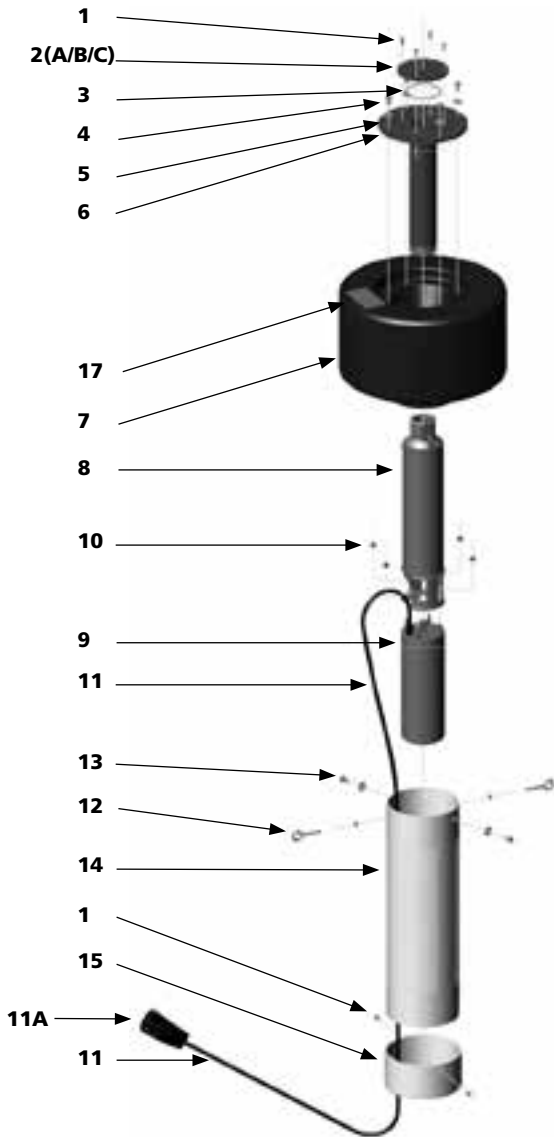
ITEM	HORSEPOWER		1/2	3/4
	MODEL NO.		CPH051622	CPH071726
	DESCRIPTION	PART NO.		
1	Motor, Nema J (Thd)		98J105	98J107
•	Motor Cover w/screws	021301R	1	1
•	Screws, Cover	021302	2	2
2	Cord 16/3, 115V	132458A	1	1
3	Mounting Ring		135314	136137
4	Hex Hd. Cap Screws 3/8 x 3/4"	*	4	4
5	Ring, Square Cut		132583	132429
6	Seal, Rotary w/Spring	131100	1	1
7	Impeller		132613	134137
8	Diffuser		132424	132425
9	Rubber, Diffuser	132428	1	1
10	Pump Body		134311	134312
11	Plug, Priming 1/2" NPT	*	1	1
12	Base	128034	1	1
13	Pressure Gauge	023930	1	1
14	Ejector Body	135021	1	1
•	Nozzle		4C3916	4C3917
15	Venturi		4C5522	4C5526
16	Gasket w/Bolts	132404	1	1

(\*) Standard item

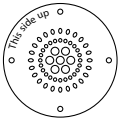
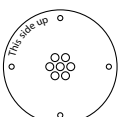
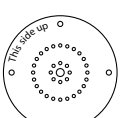
(•) Not shown

134349 Flow Control Package is available for "CPH" pumps - not shown

# FLOATING POND PUMP REPAIR PARTS FPS0501



IL0538

Flow (GPH)	Spray Height (Ft.)	Pattern Image	Pattern Name
4900	15		Water Lily - 2A
3300	15		Sky Cannon - 2B
2700	13		Water Trumpet - 2C

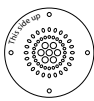
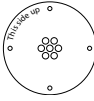
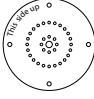
Item #	Qty	Part No.	Description
*1	6	*	Screw - #10 x 3/4 Slotted Head or Pan Head Sheet Metal Screw (18-8 Stainless Steel)
2A	1	021617	Nozzle - Water Lily
2B	1	021618	Nozzle - Sky Cannon
2C	1	021619	Nozzle - Water Trumpet
3	1	021622	O-Ring - AS568A - 041 (3" ID x 3/18" OD)
4	6	021628	Bolt - SS 1/4-20 x 3/4
5	6	021629	Lockwasher - 1/4"
6	1	021707	Mounting Flange
7	1	022912	Float
8	1	021713	Pump End
9	1	021740	Motor 1/2 HP 115V
10	4	127021	Locknut - SS 5/16-24
11	1	021715	100 ft. power cord with GFI
11A	1	021614	GFI
12	2	021609	Eye Bolt - SS 1/4-20 x 2-1/2
13	2	021623	Locknut - SS 1/4--20
14	1	022913	Screen
15	1	021611	Screen Cap
16	1	021613	Strain Relief
17	2	021625	Warning Decal

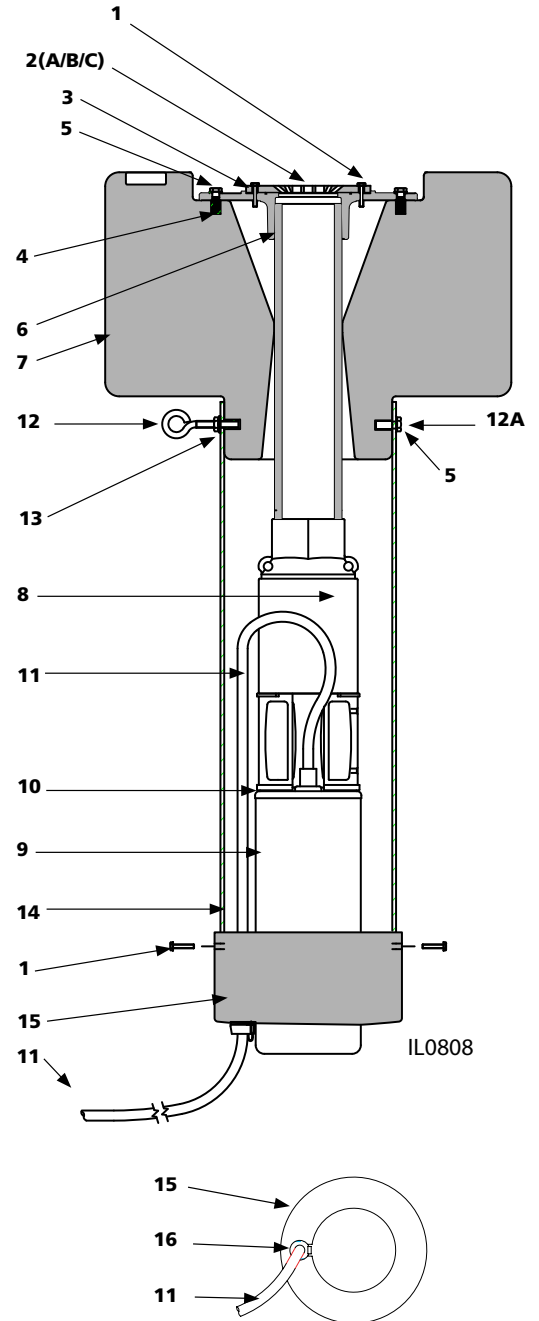
\*Standard hardware item, available locally

## FLOATING POND PUMP REPAIR PARTS FPS05021, FPS07021, FPS10021

Ref No.	Description	Part No.			Qty
		1/2 HP	3/4 HP	1 HP	
*1	Screw - #10 x 3/4 Slotted Hex Head or Pan Head Sheet Metal Screw (18-8 Stainless Steel)	*	*	*	6
2A	Nozzle - Water Trumpet	021617	021617	021617	1
2B	Nozzle - Sky Cannon	021618	021618	021618	1
2C	Nozzle - Water Lily	021619	021619	021619	1
3	O-Ring - AS568A - 041 (3" ID x 3/18" OD)	021622	021622	021622	1
4	Bolt - SS 1/4-20 x 3/4	*	*	*	4
5	Lockwasher SS - 1/4"	*	*	*	6
6	Mounting Flange	021707	021707	021707	1
7	Float	022912	022523	022523	1
8	Pump End	021713	022999	023000	1
9	Motor 230V	022985	022517	022986	1
10	Locknut - SS 5/16-24	127021	127021	127021	4
11	100 ft. power cord	022516	022516	022516	1
12	Eye Bolt - SS 1/4-20 x 2-1/2	*	*	*	2
12A	Bolt - SS - 1/4 - 20	*	*	*	2
13	Locknut - SS 1/4--20	*	*	*	2
14	Screen	022913	022913	022694	1
15	Screen Cap	021611	021611	021611	1
16	Strain Relief	021613	021613	021613	1
▲	Warning Decal	021625	021625	021625	2
▲	Splice Kit	022919	022919	022919	1
▲▲	Timer (pump or light)	022697	022697	022697	1
▲▲	GFI	022698	022698	022698	1
▲▲	Contactator	022902	022902	022902	1

(\*) Standard hardware item, available locally  
(▲) Not Shown  
(▲▲) In control center

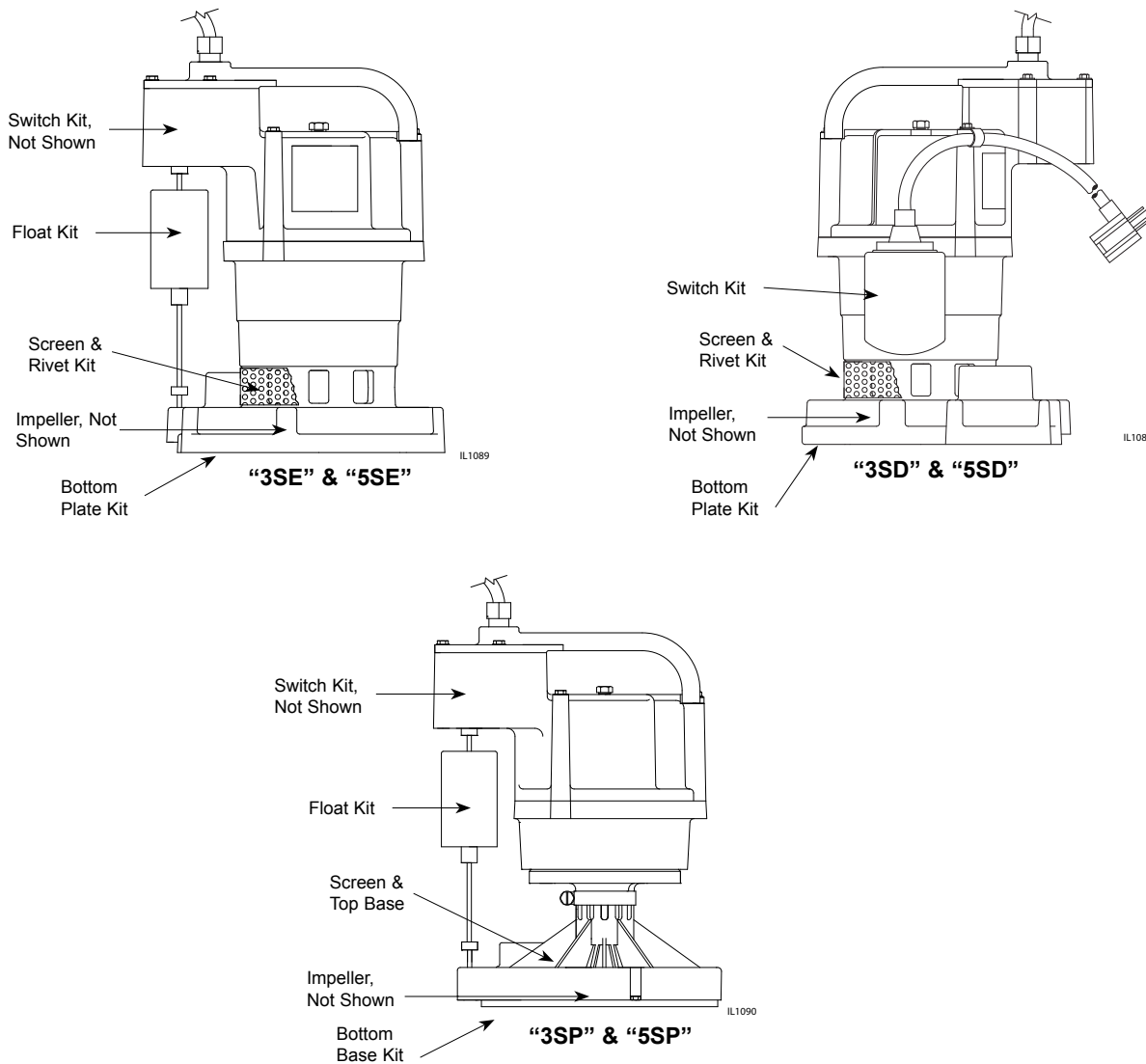
Flow (GPH)	Spray Height (Ft.)	Pattern Image	Pattern Name
1/2 HP 4900	15		Water Lily - 2A
3/4 HP 5825	22		Sky Cannon - 2B
1 HP - 6150	24		Water Trumpet - 2C



IL0538  
**Figure 7 - Parts Illustration for Floating Pond System**

## SUBMERSIBLE SUMP PUMP REPAIR PARTS

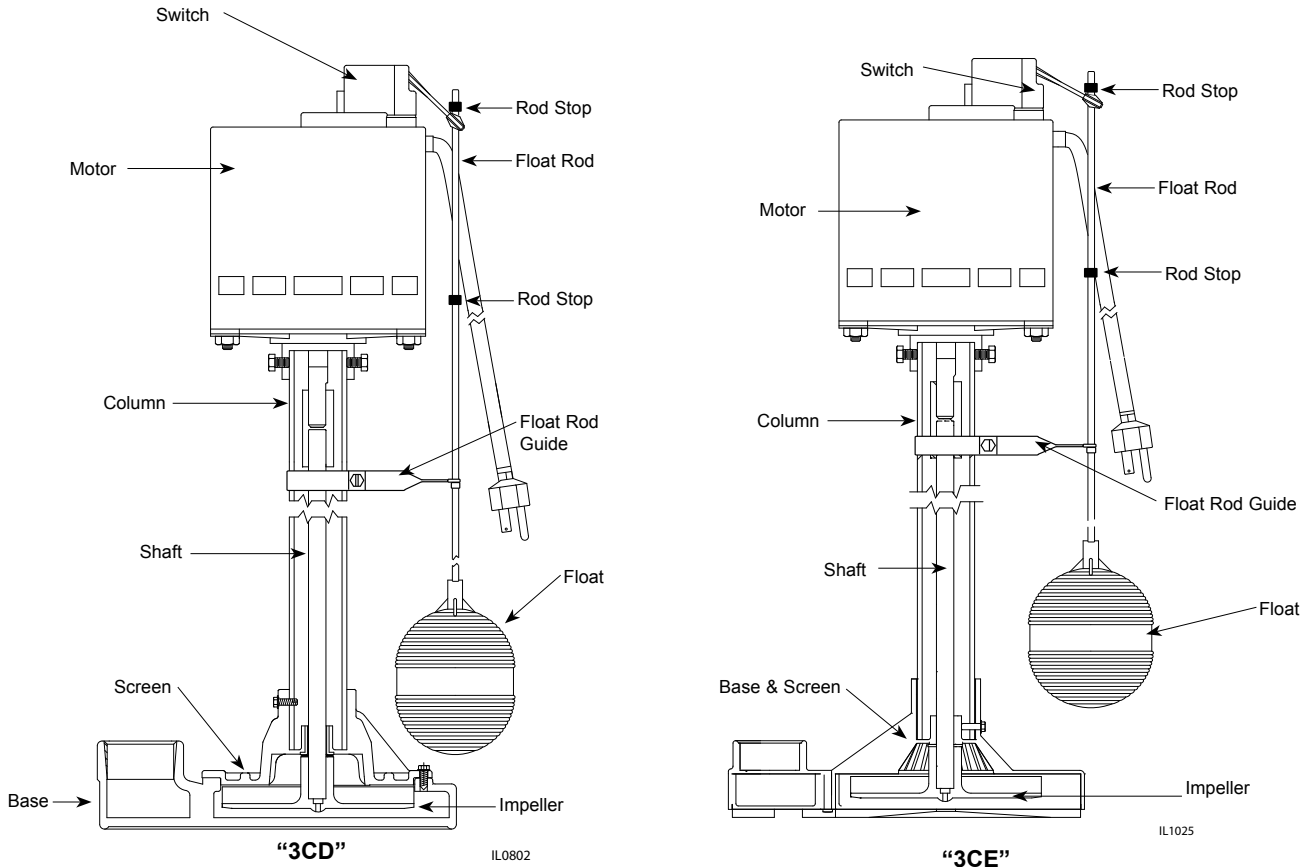
(For Pricing Refer To Repair Parts Price List)



MODEL NO.	DATE CODE BEFORE 95-03 (3/95)			DATE CODE AFTER 95-03 (3/95)			
	3SE 5SE	3SD 5SD	3SP 5SP	3SE 5SE	3SD 5SD	3SP 5SP	3SDP
<b>DESCRIPTION</b>	<b>PART NUMBER</b>						
Impeller	132073	132073	132073	132073	132073	132073	132073
Switch Kit	N/A	135254	N/A	N/A	135254	N/A	135254
Float Kit	135253	N/R	135253	135253	N/R	135253	N/R
Screw Kit (not shown)	135256	135256	135256	135256	135256	135256	135256
Base Assembly	N/A	N/A	132139 †	N/A	N/A	N/R	N/R
Screen	N/R	N/R	130504	N/R	N/R	N/R	N/R
Clamp 2" S.S.	N/R	N/R	*	N/R	N/R	N/R	N/R
Screen & Rivet Kit	N/R	N/R	N/R	138049	138049	N/R	N/R
Screen & Top Base	N/R	N/R	N/R	N/R	N/R	137621	137621
Bottom Base/Plate Kit	N/A	N/A	N/R	N/A	N/A	138048	138048

(\*) Standard hardware item  
 (†) Cast Iron — Plastic base not available  
 (N/R) Not required  
 (N/A) Not available

## COLUMN SUMP PUMP REPAIR PARTS (For Pricing Refer To Repair Parts Price List)

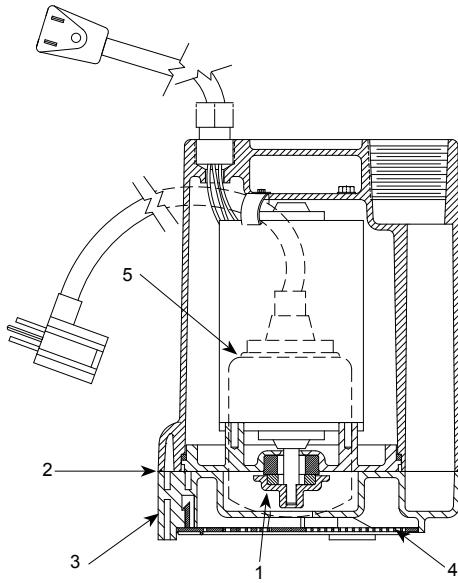


MODEL NO.	DATE CODE						
	BEFORE 95-03 (3/95)		95-03 THRU 01-10		AFTER 01-11		
	3CD	3CE	3CD	3CE	3CD	3CE	5CDH
DESCRIPTION	PART NUMBER						
Base	132139	132139 †	132139	N/R	132139	N/R	132139
Screen	N/A	N/A	130503	N/R	130503	N/R	130503
Base & Screen	N/R	N/R	N/R	138050	N/R	138050	N/R
Column	N/A	N/A	128319	128319	128319	128319	128319
Machine Screw 1/4" - 20 x 1/2"	* (2)	* (2)	* (2)	* (2)	* (2)	* (2)	* (2)
Washer/Thrust	N/A	N/A	N/R	N/R	139496	139496	139497
Shaft	N/A	N/A	N/A	N/A	138970	138970	138970
Impeller	132073	132073	N/A	N/A	132073	132073	132073
Float Rod Guide w/Screw	132012	132012	132012	132012	132012	132012	132012
Float Rod w/Stops	135267	135267	135267	135267	135267	135267	135267
Rod Stops (2)	135266	135266	135266	135266	135266	135266	135266
Float	001134	001134	001134	001134	001134	001134	001134
Switch	133817	133817	133817	133817	133817	133817	133817
Motor w/Switch & Cord	128758	128758	128758	128758	128758	139359	137273

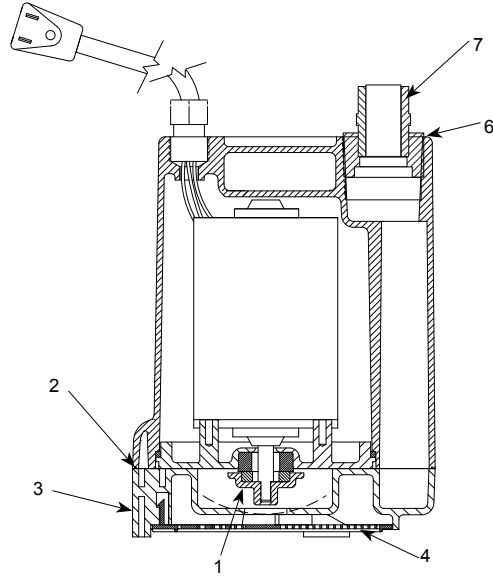
(\*) Standard hardware item  
 (†) Cast Iron — Plastic base not available  
 (N/A) Not available  
 (N/R) Not required

## SUBMERSIBLE SUMP & UTILITY PUMP REPAIR PARTS

(For Pricing Refer To Repair Parts Parts List)



**Sump Pump  
"2SPFA"**



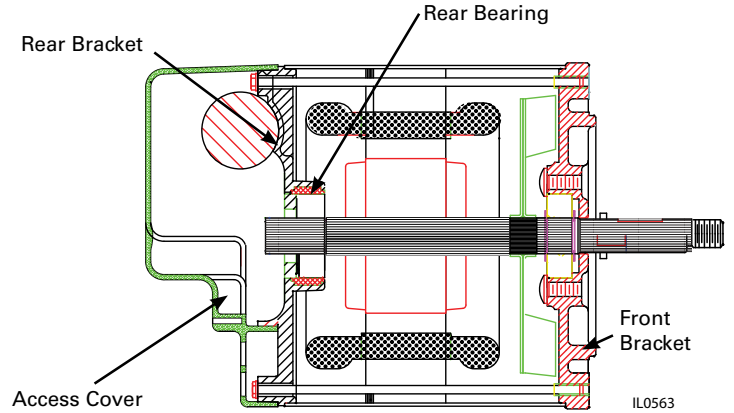
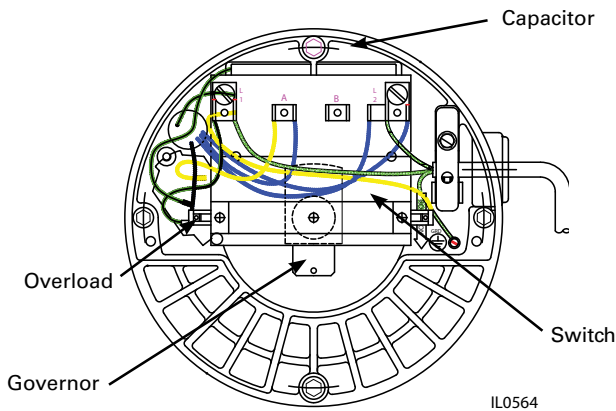
**Utility Pump  
"UTFA"**

ITEM	DESCRIPTION	SUMP PUMP — 2SPFA	QTY.	UTILITY PUMP — UTFA	QTY.
1	Impeller	N/A	1	N/A	1
2	Gasket	N/A	1	N/A	1
3	Base	N/A	1	N/A	1
•	Screws	137773	3	137773	3
4	Screen	N/A	1	N/A	1
5	Switch Kit	135254	1	—	—
6	Bushing 1-1/4 x 3/4"	—	—	N/A	1
7	Adapter 3/4 x 3/4"	—	—	N/A	1

# "98" SERIES JET PUMP MOTOR SERVICE PARTS

(For Pricing Refer To Repair Parts Price List)

FORM NO. FW1164  
0412  
SUPERSEDES  
0611



Parts List for 98 Series Motors	Part No.	SINGLE PHASE UNI-FRAME						SINGLE PHASE						THREE PHASE													
		HP						HP						HP													
		1/3	1/2	3/4	1	1/2	3/4	1/3	1/3	1/2	3/4	1	1-1/2	2	3	1/2	3/4	1	1-1/2	1/2	3/4	1	1-1/2	2	3		
SHAFT FLATTED																											
SHAFT THREADED																											
Description	Part No.																										
Switch & Governor † .567	022546	•	•	•	•	•	•	•	•	•	•	•	•	•	•	•	•	•	•								
Switch & Terminal Board	137122A	•	•	•	•	•	•	•	•	•	•	•	•	•	•	•	•	•	•								
Governor Kit	022545	•	•	•	•	•	•	•	•	•	•	•	•	•	•	•	•	•	•								
Governor Only .567	022543	•	•	•	•	•	•	•	•	•	•	•	•	•	•	•	•	•	•								
Capacitor 25 MFD	136656													•													
200 MFD	135884																										
282 MFD	135885		•	•			•									•											
324 MFD	135886				•												•										
Overload Protector	136123																										
	136124																										
	023519		•				•																				
	022988	•																									
	136127				•																						
	136128																										
	136129																										
	023369				•																						
Bearing & Housing	135309	•	•	•	•	•	•																				
Bearing, Front	023076																										
Bearing, Front	022962							•	•	•	•	•	•	•	•	•	•	•	•								
Bearing, Rear	022962	•	•	•	•	•	•	•	•	•	•	•	•	•	•	•	•	•	•	•	•	•	•	•	•	•	•
Combination Bracket, Front	135314	•	•																								
	136115			•	•																						
Bracket, Front	134390							•	•	•	•									•	•						
Bracket, Front	023078																										
Bracket, Rear	136115	•	•	•	•	•	•	•	•	•	•	•	•	•	•	•	•	•	•	•	•	•	•	•	•	•	•
Thru Bolts (4) 5-3/4"	136116	•						•	•																		
6"	136117		•																								
6-1/2"	134512				•																						
7"	134513					•																					
7-5/8"	136118																										
8-1/8"	134515																										
Access Cover, Rear*	021301R*	*	*	*	*	*	*	*	*	*	*	*	*	*	*	*	*	*	*	*	*	*	*	*	*	*	*
Access Cover, Screws (2)	021302																										

NOTE: Capacitor Cover 132539 is utilized on 3 HP single phase motors.

(†) To replace both the switch and governor, use switch & governor kit 022546. This kit applies to all 98 series motors regardless of date code.

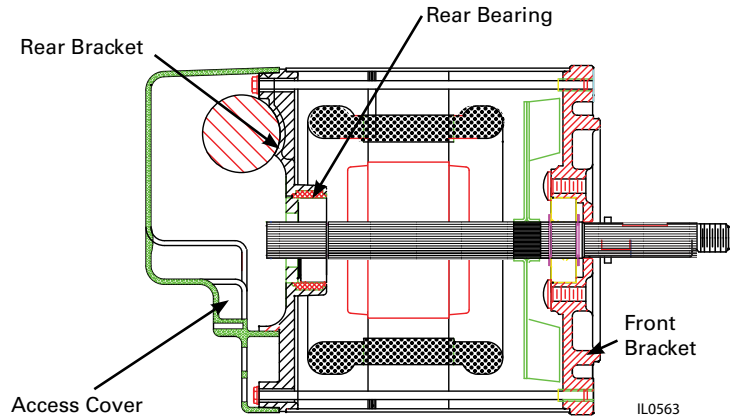
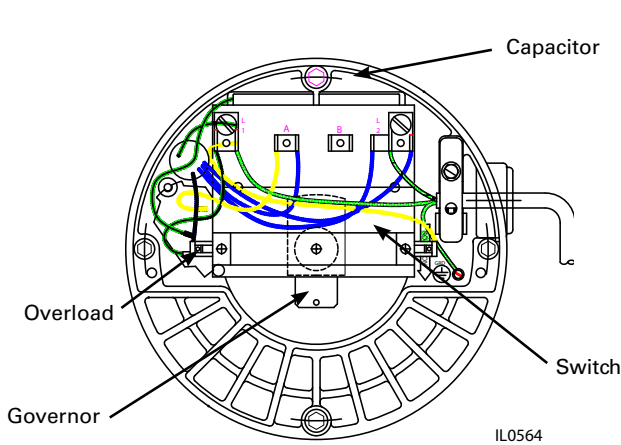
Kit 022546 contains governor, switch & terminal board, snap ring and spring washer

(††) Governor Kit 022545 contains governor, snap-ring and spring washer

# "96" SERIES JET PUMP MOTOR SERVICE PARTS

(For Pricing Refer To Repair Parts Price List)

FORM NO. FW0687  
0910  
SUPERSEDES 0208

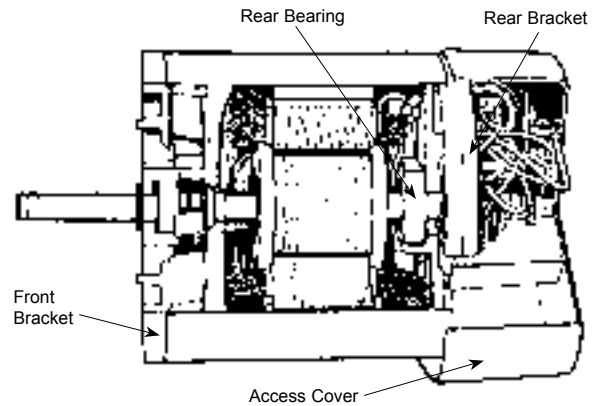
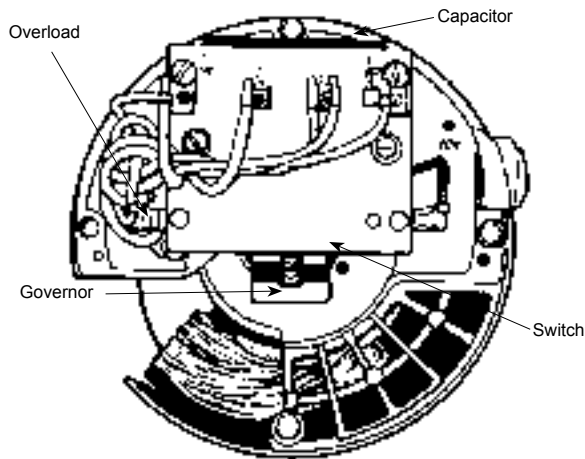


Parts List for 96 Series Motors	HP	SINGLE PHASE UNIFRAME									SINGLE PHASE									THREE PHASE							
		1/3	1/3	1/2	3/4	1	1/2	1/2	3/4	1/3	1/3	1/2	3/4	1	1-1/2	2	3	1/2	3/4	1	1-1/2	1/2	3/4	1	1-1/2	2	3
		SHAFT FLATTED																									
Description	Part No.																										
Switch & Governor † .567	021100	•	•	•	•	•	•	•	•	•	•	•	•	•	•	•	•	•	•	•	•	•	•	•	•	•	•
Switch & Terminal Board	137122A	•	•	•	•	•	•	•	•	•	•	•	•	•	•	•	•	•	•	•	•	•	•	•	•	•	•
Governor Kit	020650	•	•	•	•	•	•	•	•	•	•	•	•	•	•	•	•	•	•	•	•	•	•	•	•	•	•
Governor Only .567	020604	•	•	•	•	•	•	•	•	•	•	•	•	•	•	•	•	•	•	•	•	•	•	•	•	•	•
Capacitor 25 MFD	136656																										
200 MFD	135884		•																								
282 MFD	135885			•																							
324 MFD	135886				•																						
Overload Protector	136123		•																								
	136124																										
	136125			•																							
	136126	•			•																						
	136127					•																					
	136128																										
	136129																										
Bearing & Housing	135309	•	•	•	•	•	•	•	•	•	•	•	•	•	•	•	•	•	•	•	•	•	•	•	•	•	•
Bearing, Front	022962																										
Bearing, Rear	022962	•	•	•	•	•	•	•	•	•	•	•	•	•	•	•	•	•	•	•	•	•	•	•	•	•	•
Combination Bracket, Front	134390	•	•	•																							
	136115				•	•																					
Bracket, Front	134390																										
Bracket, Rear	136115	•	•	•	•	•	•	•	•	•	•	•	•	•	•	•	•	•	•	•	•	•	•	•	•	•	•
Thru Bolts (4) 5-3/4"	136116	•	•																								
6"	136117			•																							
6-1/2"	134512				•																						
7"	134513					•																					
7-5/8"	136118																										
8-1/8"	134515																										
Access Cover, Rear*	021301R*	*	*	*	*	*	*	*	*	*	*	*	*	*	*	*	*	**	**	**	**	*	*	*	*	*	*
Access Cover, Screws (2)	021302																										

NOTE: Capacitor Cover 132539 is utilized on 3 HP single phase motors.  
 (†) To replace both the switch and governor, use switch & governor kit 021100. This kit applies to all 96 series motors regardless of date code.  
 Kit 021100 contains governor, switch & terminal board, snap ring and spring washer  
 (††) Governor Kit 020650 contains governor, snap-ring and spring washer  
 (\*) Access cover 021301R is used on all 96 motors except 96F and 96H series. Includes cover, screws & wiring diagram  
 (\*\*) Access cover 136132R is used on 96F and 96H motors only. Includes cover, screws and wiring diagram.



## “94” SERIES JET PUMP MOTOR SERVICE PARTS (For Pricing Refer To Repair Parts Price List)



Parts list for 94 series motors manufactured after November, 1993.  For 94 series motors manufactured prior to November, 1993, see footnotes.  To determine date of manufacture, see date code on motor label.		Single Phase Uniframe				Single Phase								Three Phase												
		HP	1/3	1/3	1/2	3/4	1	1/2	1/2	3/4	1/3	1/3	1/2	3/4	1	1-1/2	2	3	1/2	3/4	1	1-1/2	2	3		
Description	Part No.																									
Switch & Governor†	.667	N/A	•	•	•	•	•	•	•	•	•	•	•	•	•	•	•	•	•	•	•	•	•	•	•	•
Switch & Terminal Board‡		137122A	•	•	•	•	•	•	•	•	•	•	•	•	•	•	•	•	•	•	•	•	•	•	•	•
Governor only††	.667	N/A	•	•	•	•	•	•	•	•	•	•	•	•	•	•	•	•	•	•	•	•	•	•	•	•
Capacitor	25 MFD	136656																								
	200 MFD	135884		•																						
	282 MFD	135885			•																					
	324 MFD	135886				•																				
Overload protector		136123		•																						
		136124					•																			
		136125			•																					
		136126		•																						
		136127					•																			
		136128																								
Bearing & Housing		135309	•	•	•	•	•	•	•	•	•	•	•	•	•	•	•	•	•	•	•	•	•	•	•	•
Bearing, Front		022962																								
Bearing, Rear		022962	•	•	•	•	•	•	•	•	•	•	•	•	•	•	•	•	•	•	•	•	•	•	•	•
Combination Bracket, front		135314	•	•	•																					
		136137				•	•																			
Bracket, Front		134930																								
Bracket, Rear		136115	•	•	•	•	•	•	•	•	•	•	•	•	•	•	•	•	•	•	•	•	•	•	•	•
Thru Bolts (4)	5-3/4"	136116	•	•			•	•																		
	6"	136117			•																					
	6-1/2"	134512																								
	7"	134513																								
	7-5/8"	136118																								
8-1/8"	134515																									
Access Cover, rear		021301R	•	•	•	•	•	•	•	•	•	•	•	•	•	•	•	•	•	•	•	•	•	•	•	•
Access Cover, Screws (2)		021302	•	•	•	•	•	•	•	•	•	•	•	•	•	•	•	•	•	•	•	•	•	•	•	•

NOTE: Capacitor cover 132539 is utilized on 3HP single phase motors.  
 (‡) To replace the switch on motors with a date code prior to Nov. 1993, use switch 129218.  
 (††) To replace the governor on motors with a date code prior to Nov. 1993, use switch & governor kit 137336. (Both the switch and governor must be changed).  
 (†) To replace both the switch and governor, use switch & governor kit 137336. This kit applies to all 94 series motors regardless of date code. To replace the terminal board on motors with a date code prior to Nov. 1993, use switch & governor kit 137336.

