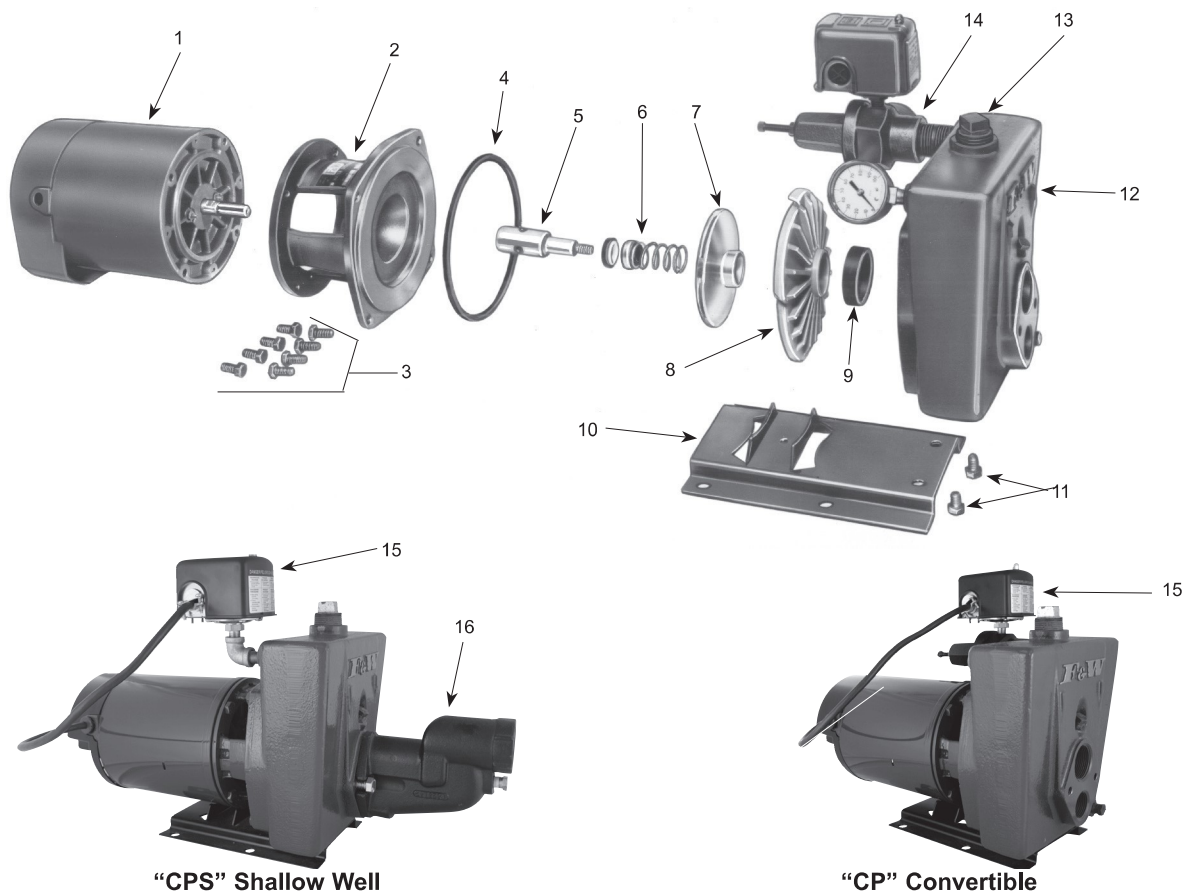


CONVERTIBLE and SHALLOW WELL JET PUMP REPAIR PARTS

“CP” and “CPS” SERIES Discontinued Product
(For Pricing Refer To Repair Parts Price List)



ITEM	HORSEPOWER		1/3	1/2	3/4	1	1-1/2
	MODEL NO.: “CP” Convertible “CPS” Shallow Well	PART NO.	CP03	CP05	CP07	CP10	CP15
			CP03S	CP05S	CP07S	CP10S	CP15S
	DESCRIPTION		QTY.				
1	Motor, Nema C (Flatted)		98F103	98F105	98F107	98F110	98F115
	Motor Cover w/Screws	021301R	1	1	1	1	1
†	Screws, Cover	021302	2	2	2	2	2
†	Motor Lead Wire		136135A	136135A	136135A	136135A	136136A
2	Mounting Ring	*	N/A	N/A	N/A	N/A	N/A
3	Hex Hd. Cap Screws 3/8 x 3/4”		8	8	8	8	8
4	Ring, Square Cut	132429	1	1	1	1	1
5	Shaft		N/A	N/A	N/A	N/A	N/A
6	Seal, Rotary w/Spring	131100	1	1	1	1	1
7	Impeller		126900	N/A	N/A	132415	133282
8	Diffuser		132424	132424	132425□	132425□	132464
9	Rubber, Diffuser	132428	1	1	1	1	1
10	Base	132430	1	1	1	1	1
11	Hex Hd. Cap Screws 3/8 x 1/2”	*	2	2	2	2	2
12	Pump Body	132418	1	1	1	1	1
13	Plug, Priming 1” NPT	*	1	1	1	1	1
14	Control Valve “CP”		132446	132446	132446	132446	133383
15	Pressure Switch “CP”		020345	132527	132527	132527	132527
15	Pressure Switch “CPS”	132527	1	1	1	1	1
16	Shallow Well Ejector Pkg.		SW03E-1626	SW05E-1630	SW07E-1432	SW10E-1334	SW15E-1238
†	Ejector Gasket Pkg. w/Bolts	132404	1	1	1	1	1
†	Ejector Gasket	130969	1	1	1	1	1
17	Pressure Gauge “CP”	023294	1	1	1	1	1

(*) Standard hardware item
(†) Not shown
(□) Diffuser w/ 134240 Insert